

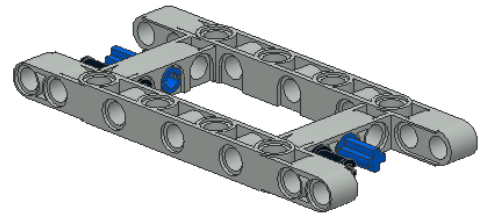
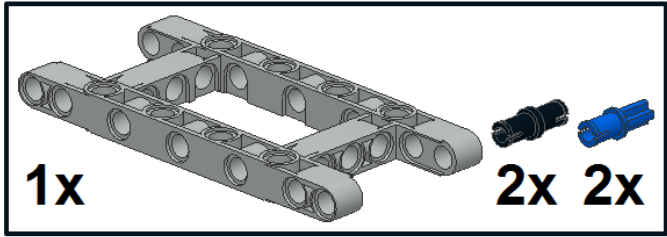
HOMI3

Homi3 is an FLL Robot designed for First Lego League (FLL) challenges. It is based exclusively on parts from Lego Mindstorms EV3 Home Edition.

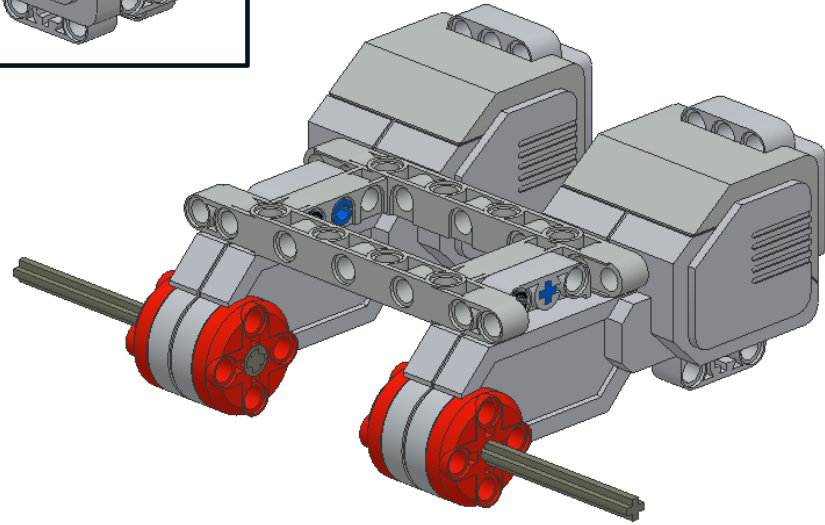
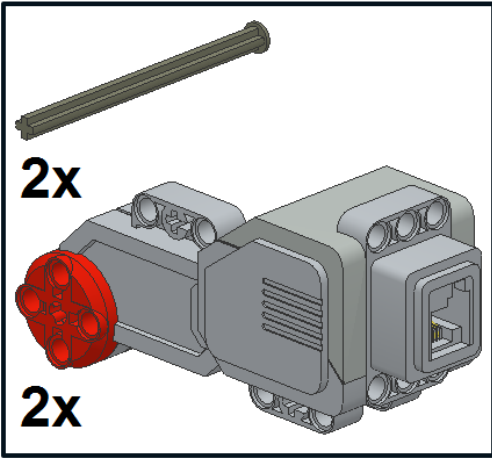


This work is licensed under a Creative Commons Attribution-NonCommercial-ShareAlike 4.0 International License.
<http://creativecommons.org/licenses/by-nc-sa/4.0/>

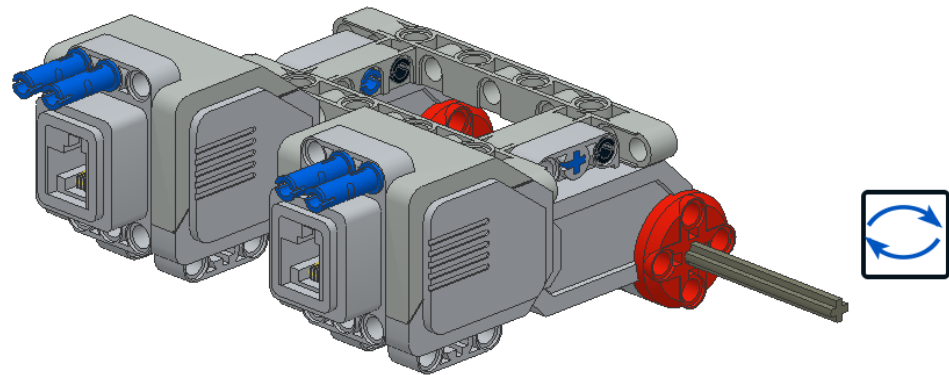
1



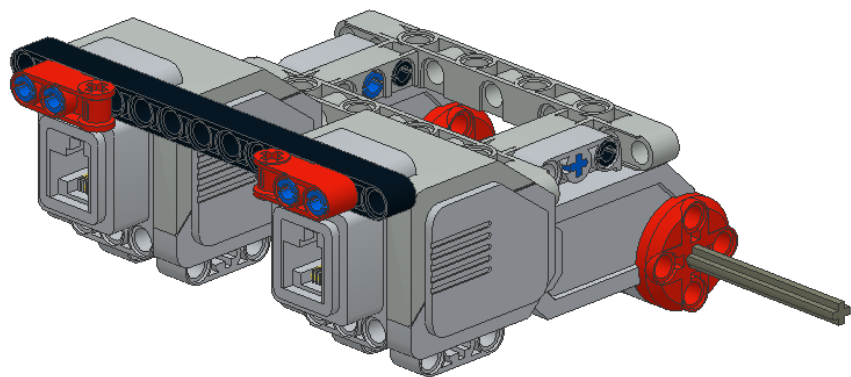
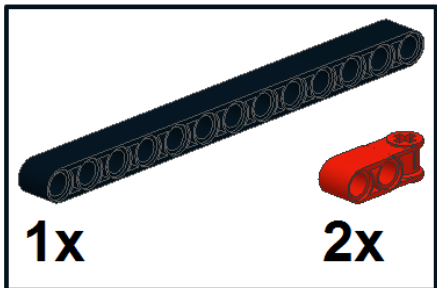
2



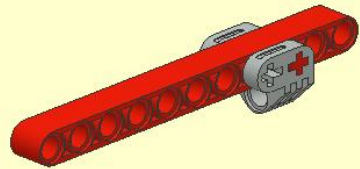
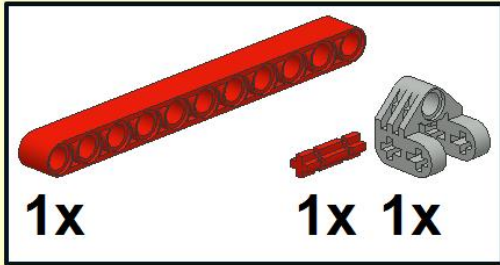
3
4x



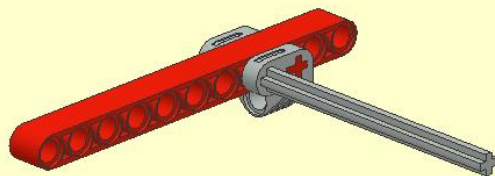
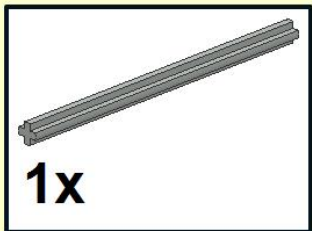
4



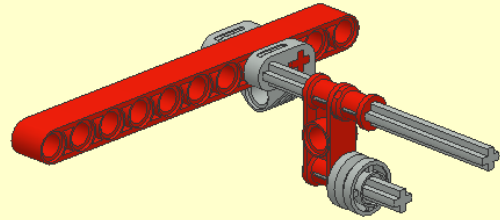
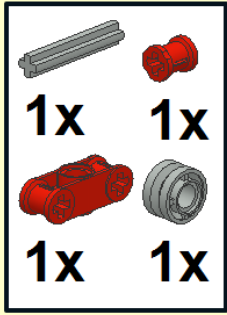
1



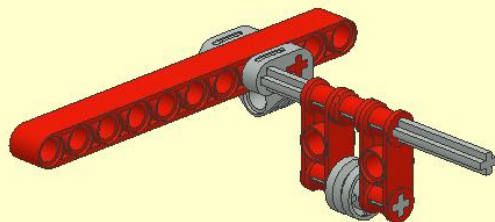
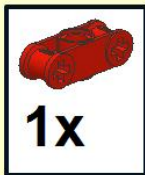
2



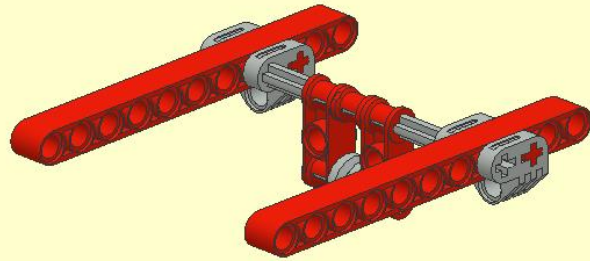
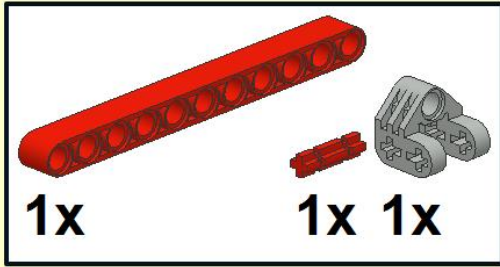
3



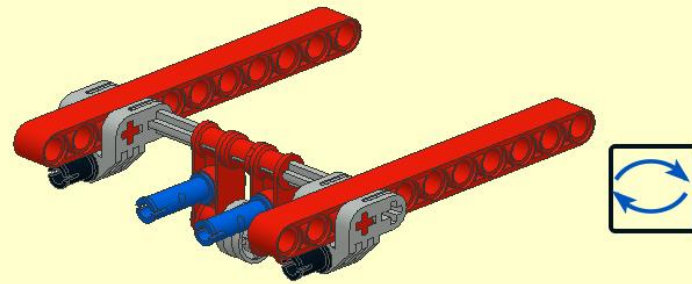
4



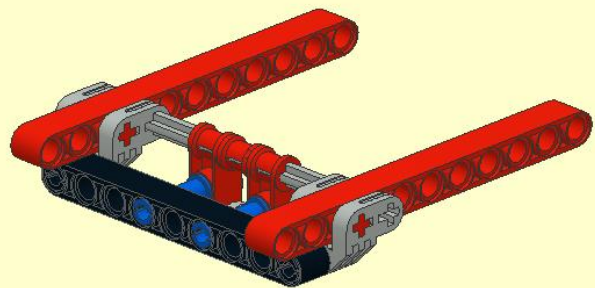
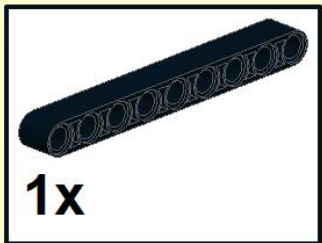
5



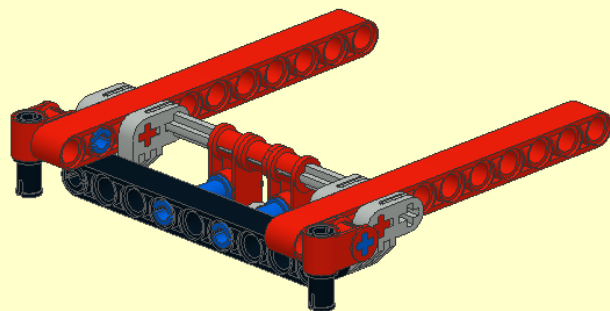
6



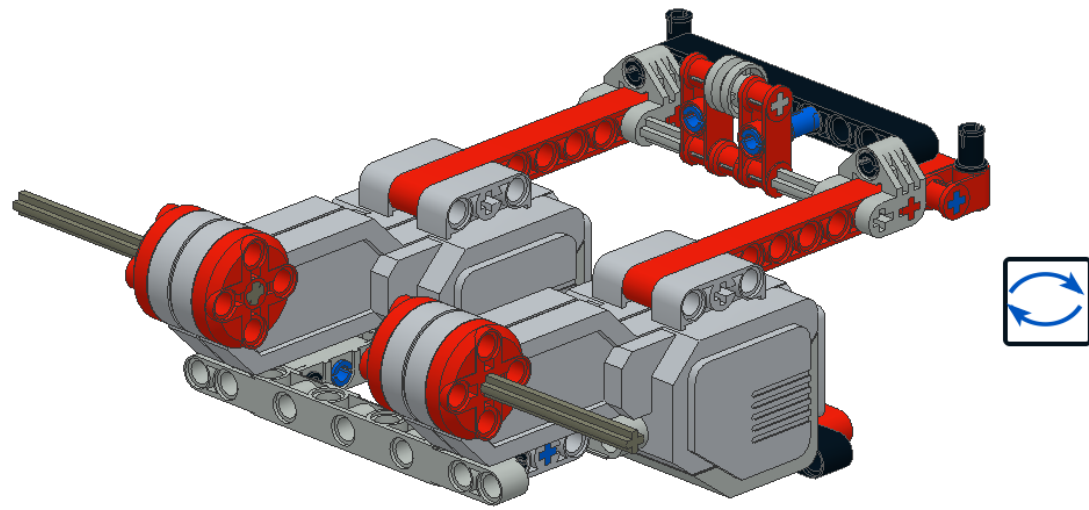
7



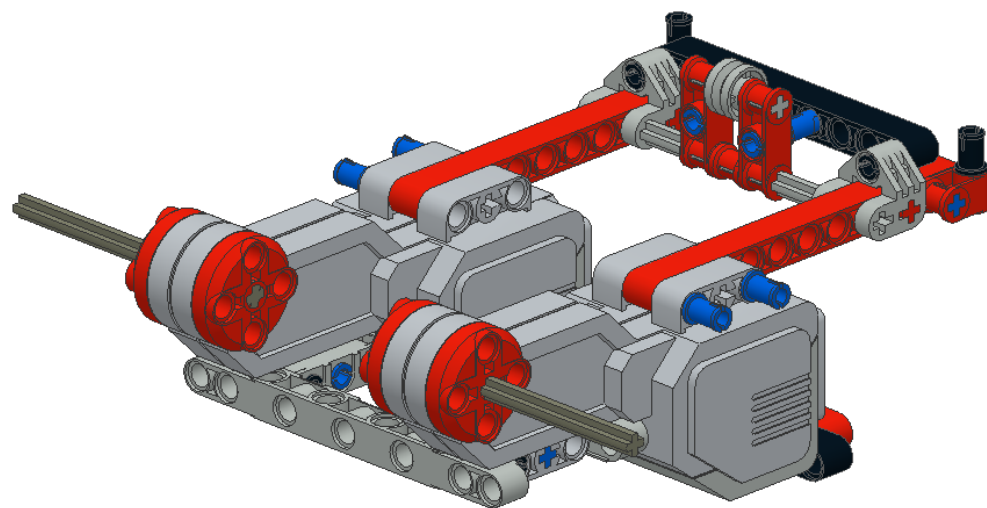
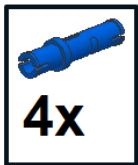
8



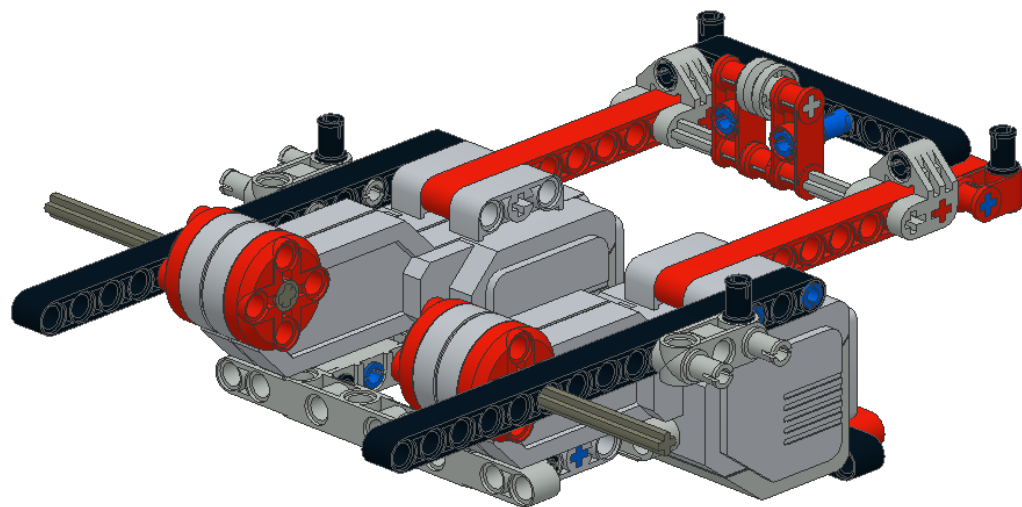
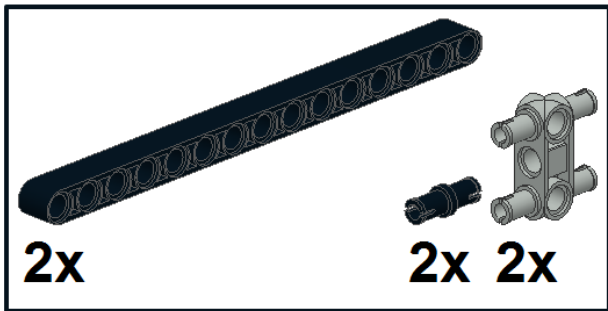
5



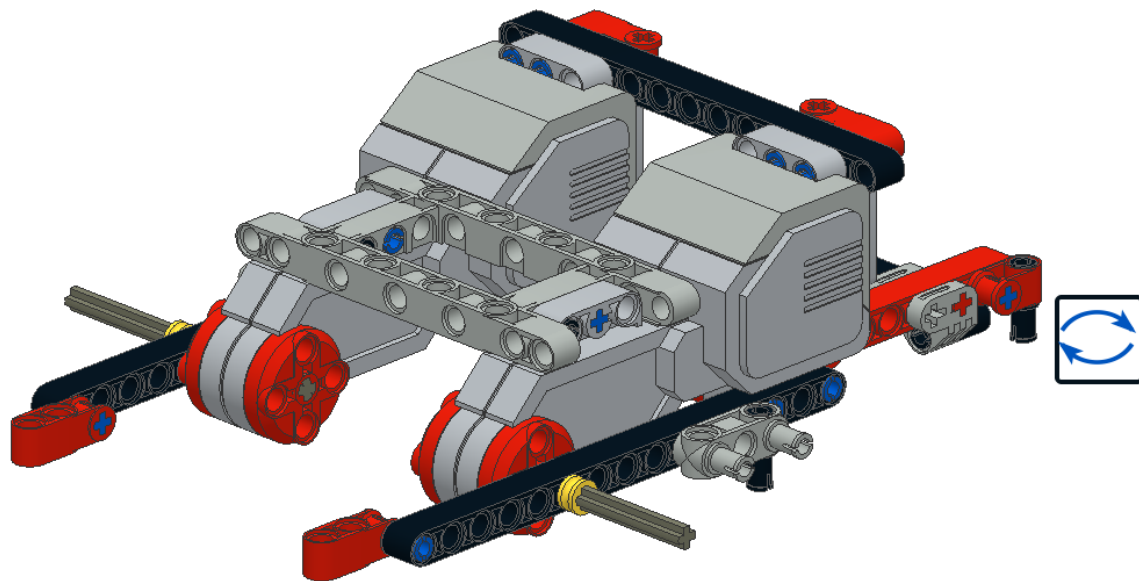
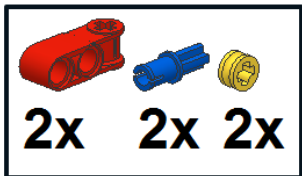
6



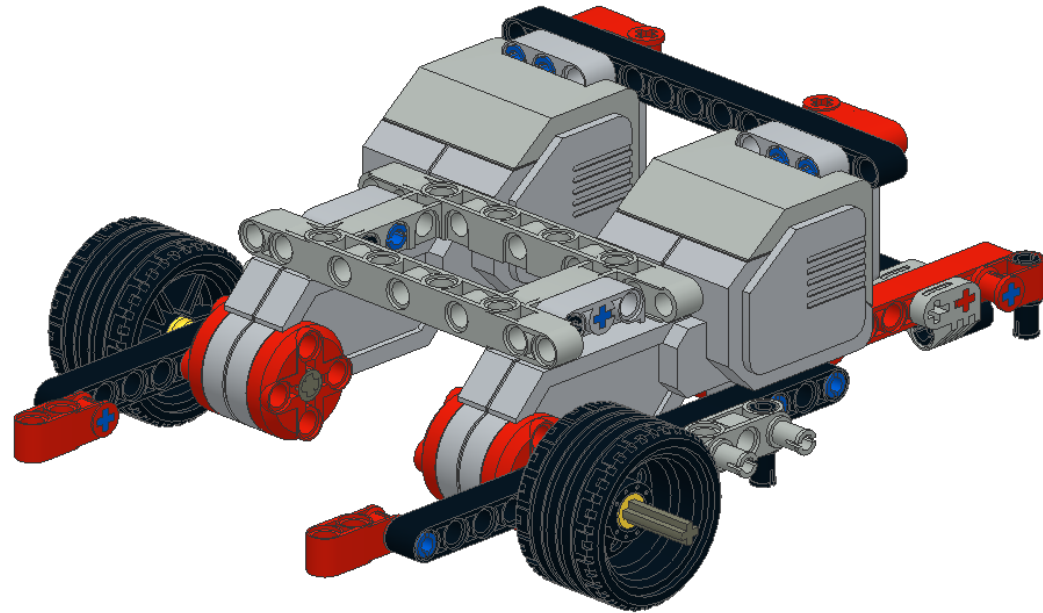
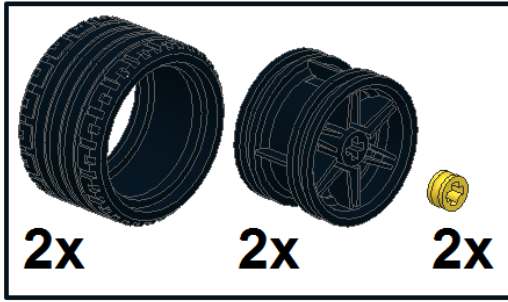
7



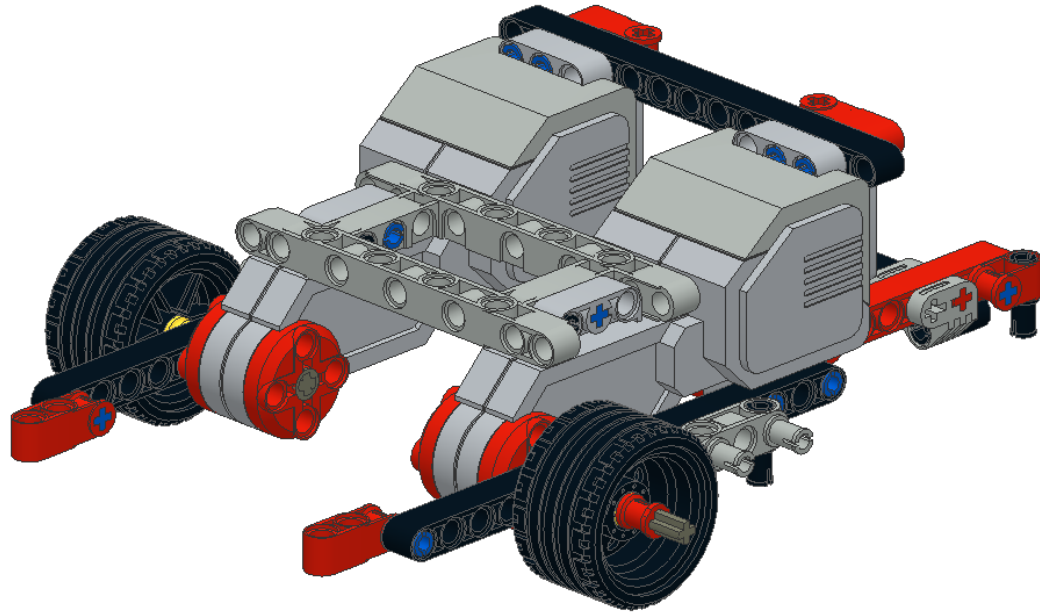
8



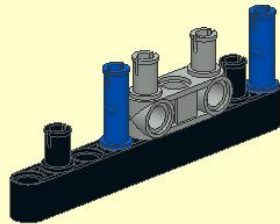
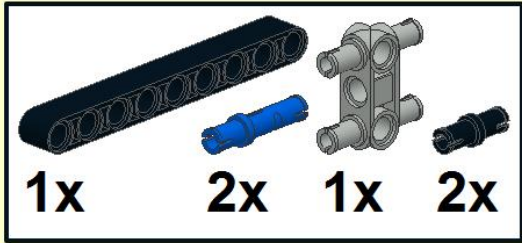
9



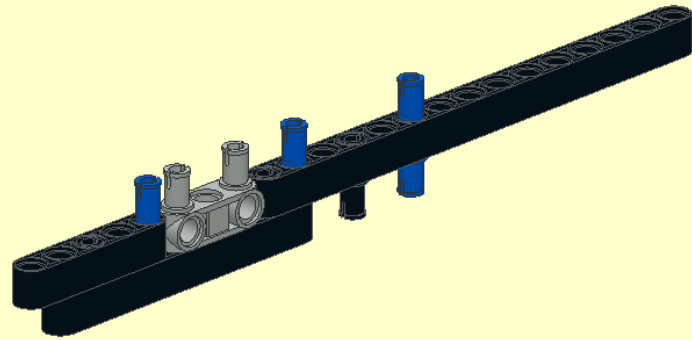
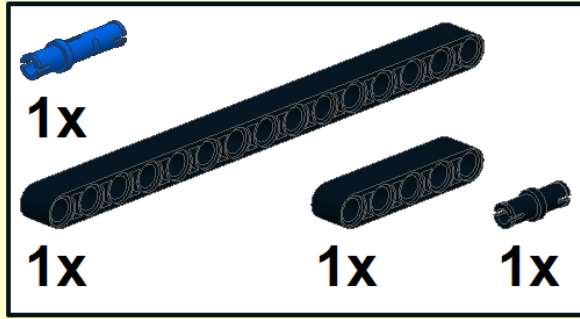
10 
2x



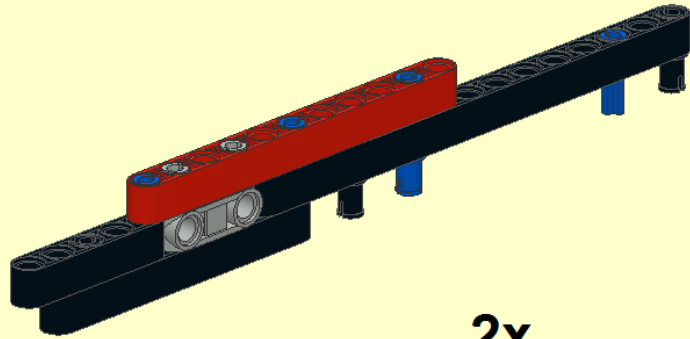
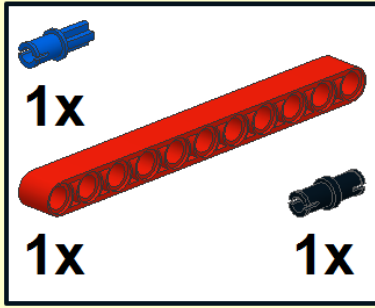
1



2

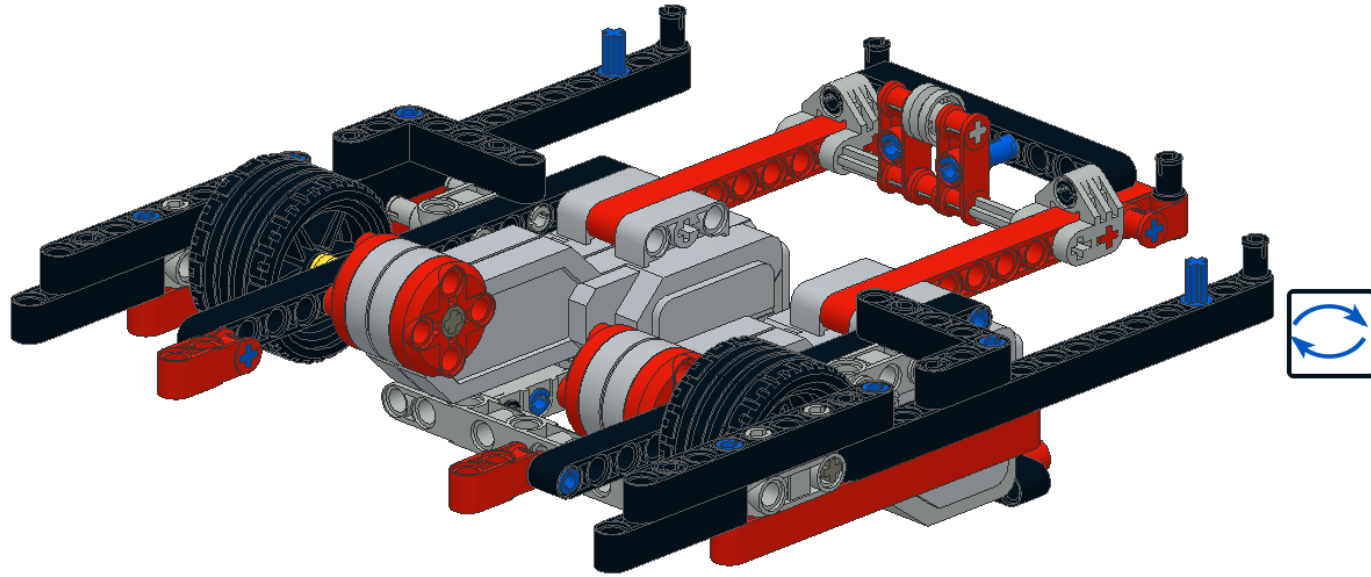
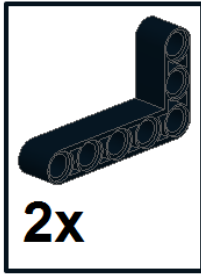


3

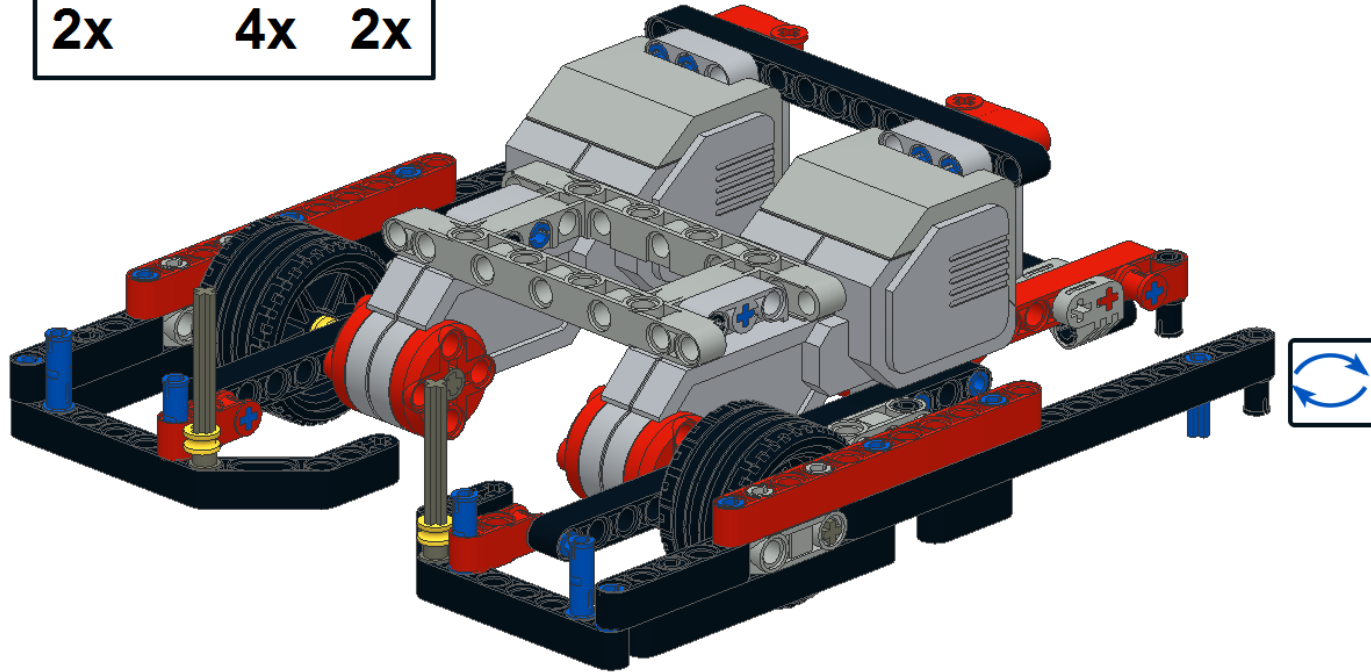
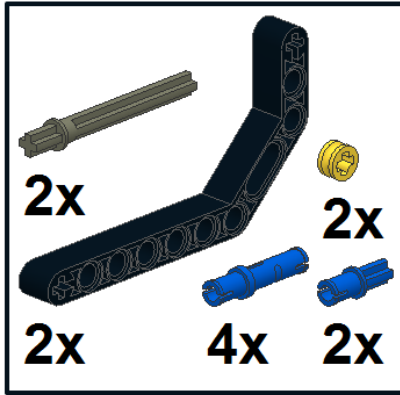


2x

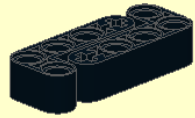
11



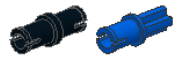
12



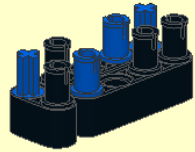
1



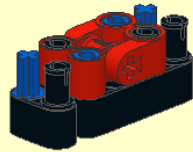
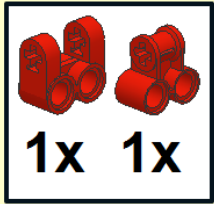
2

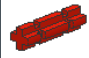


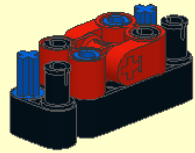
4x 4x



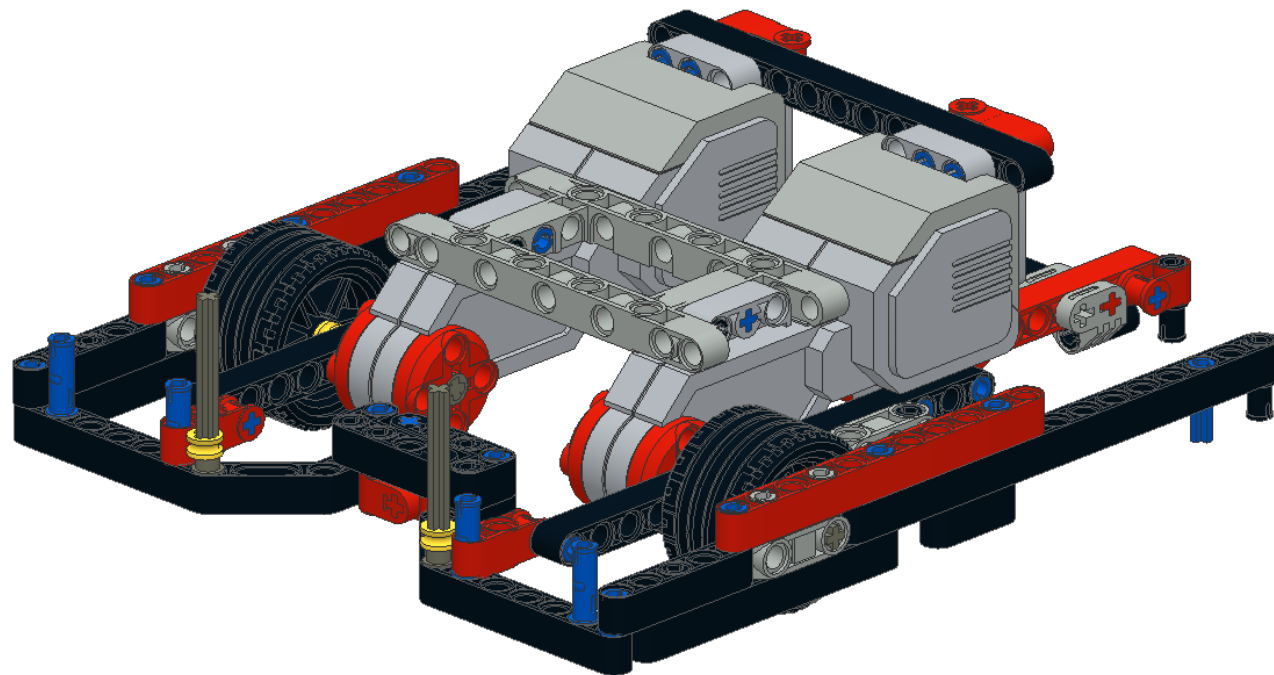
3



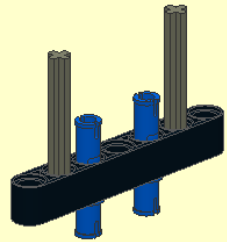
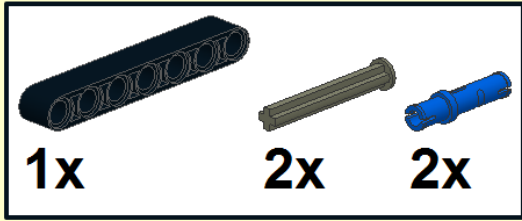
4 
1x



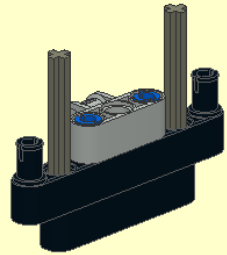
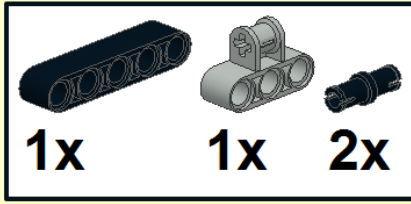
13



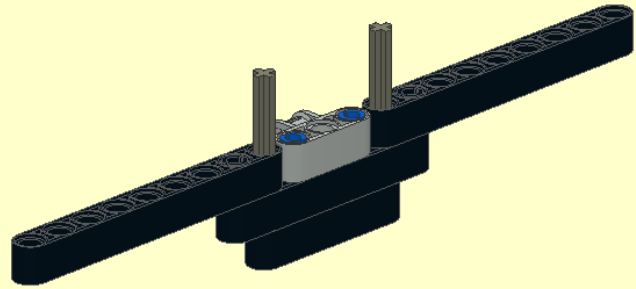
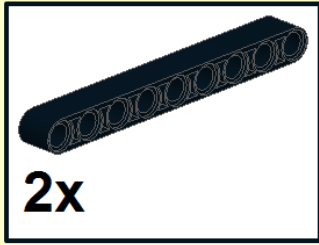
1



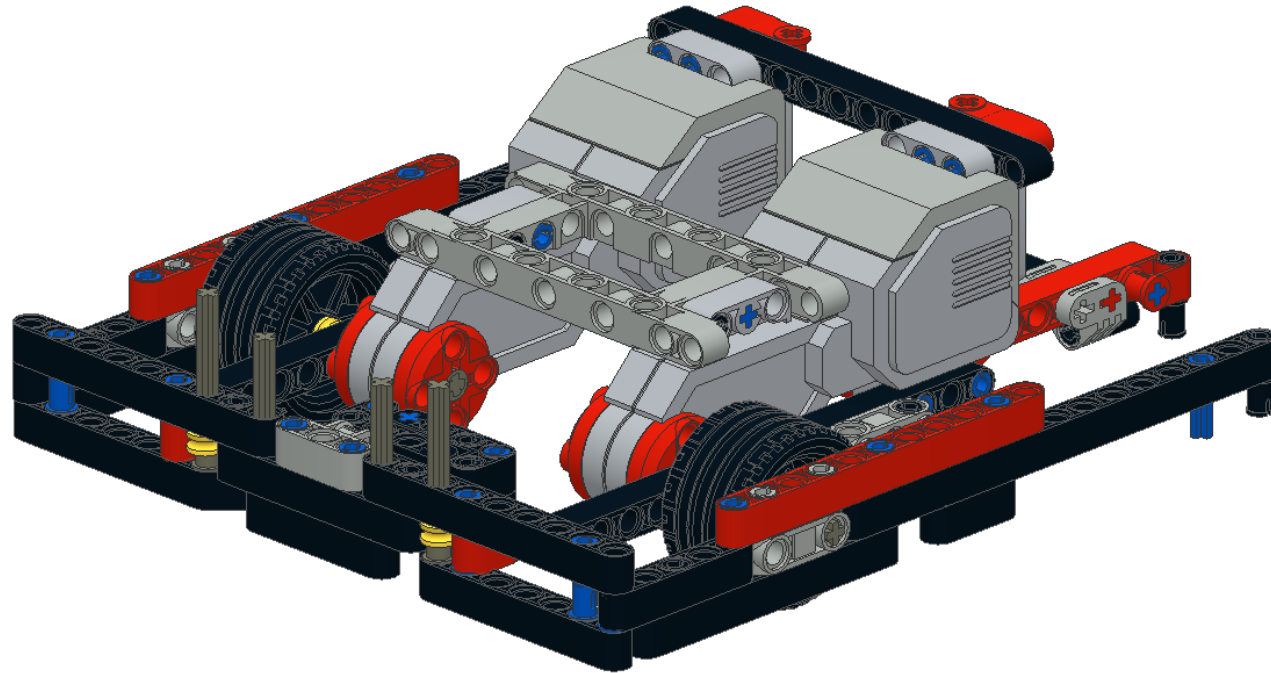
2



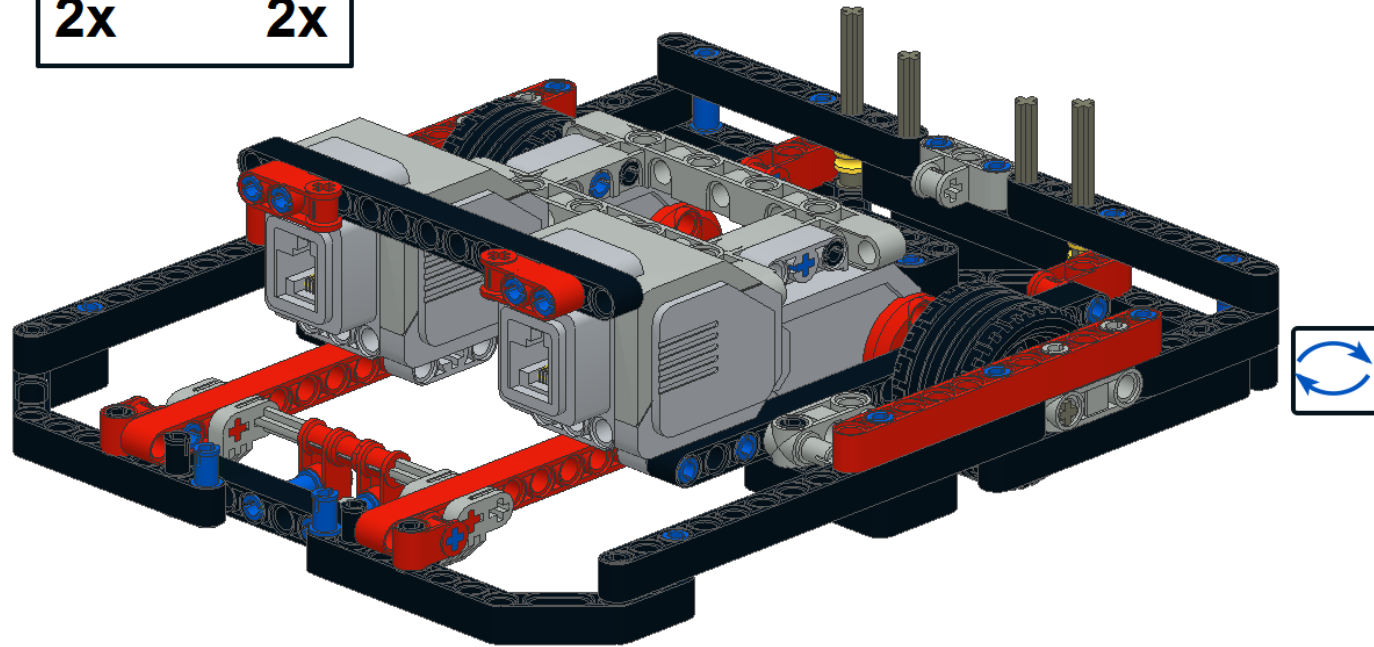
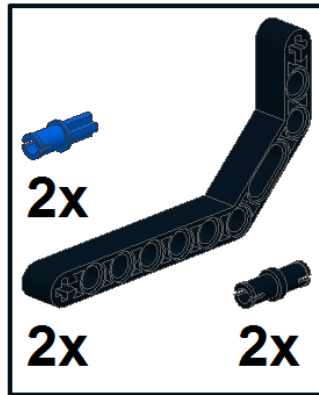
3



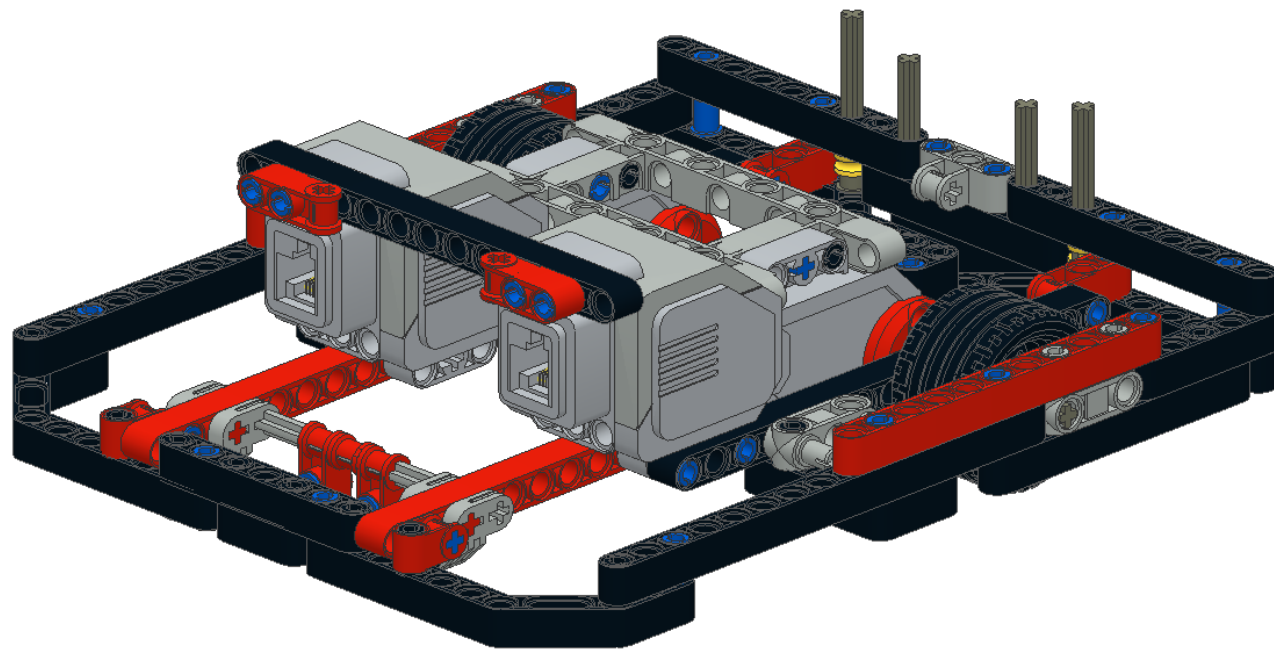
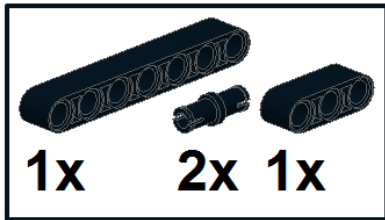
14



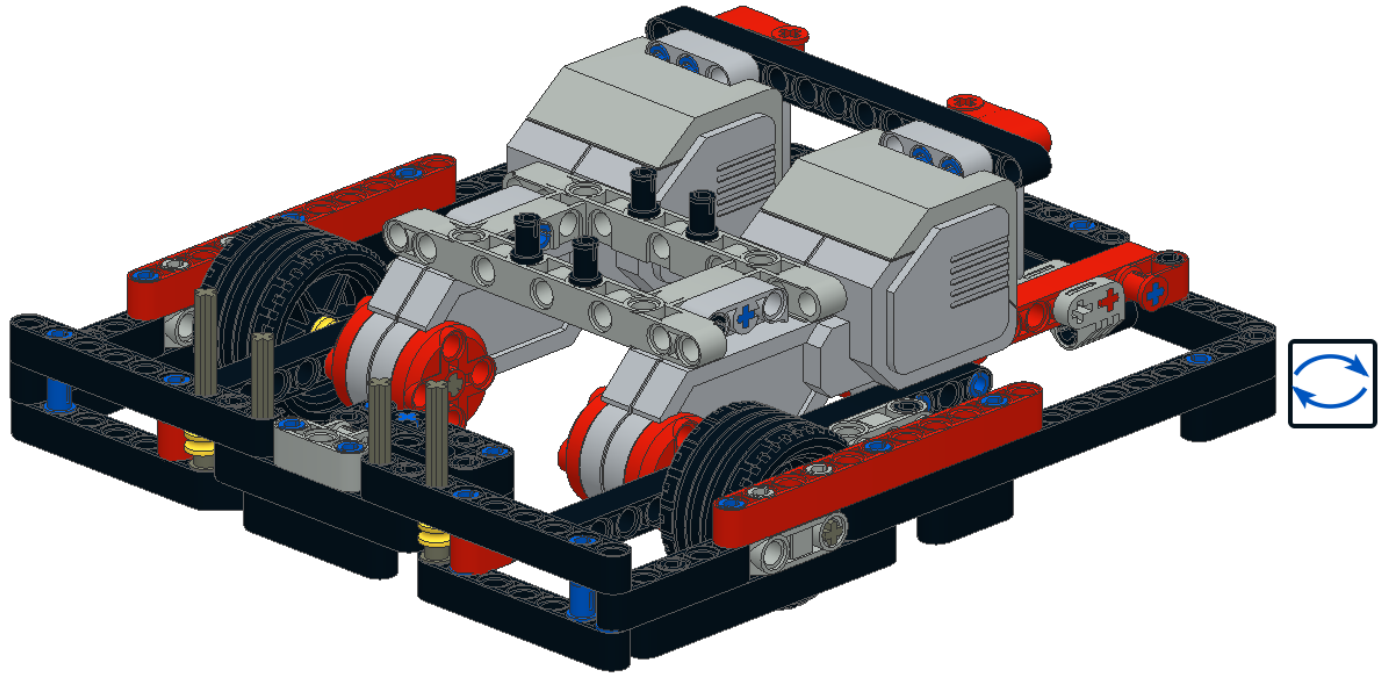
15



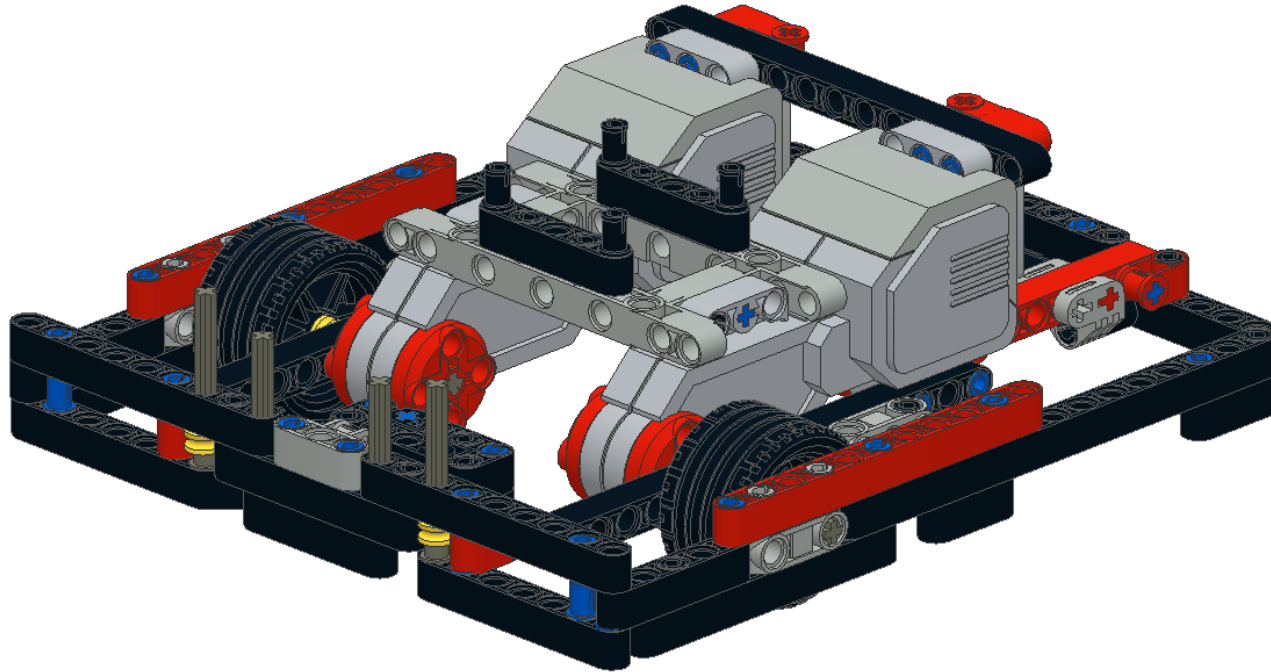
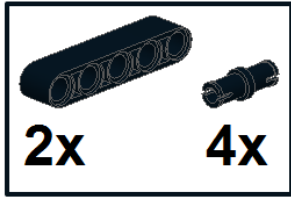
16



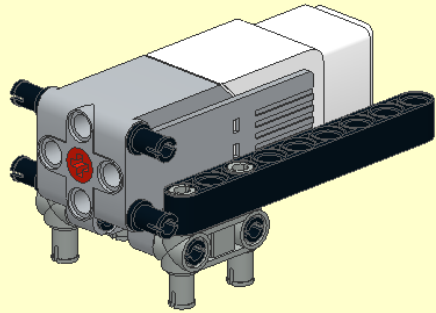
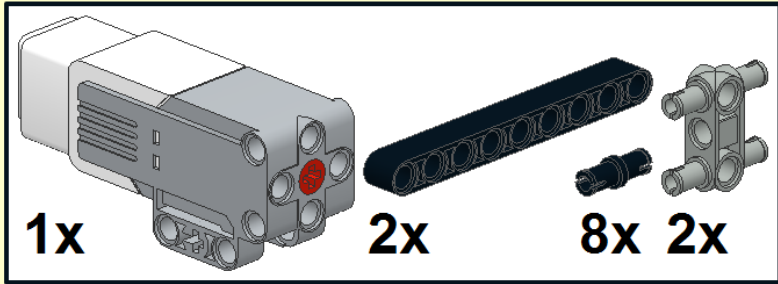
17



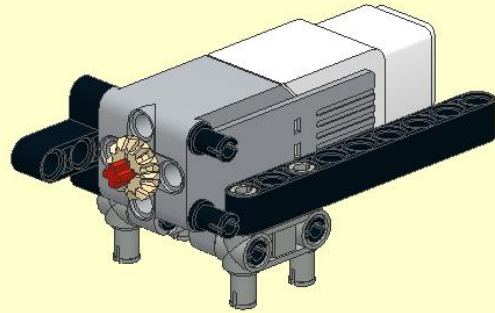
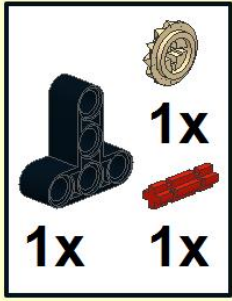
18



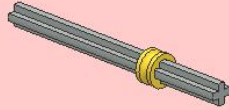
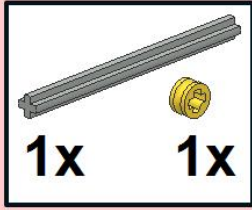
1



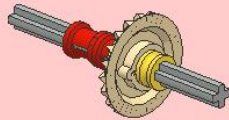
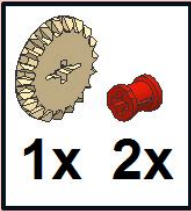
2



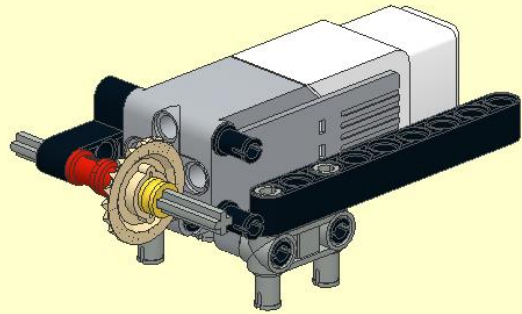
1



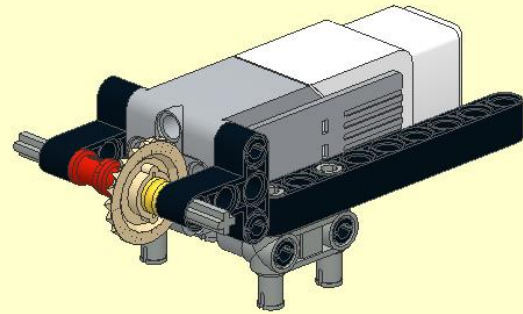
2



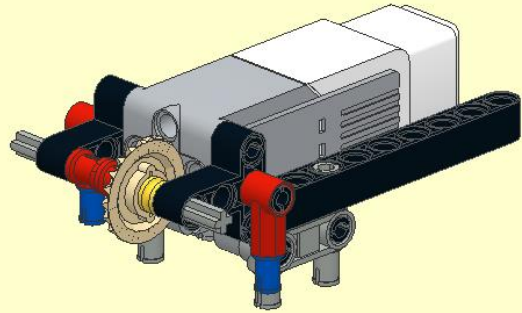
3



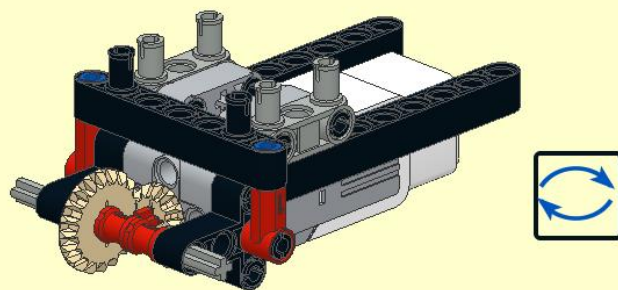
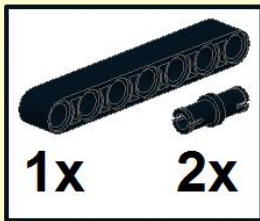
4



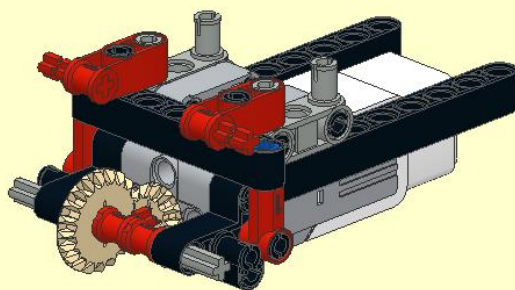
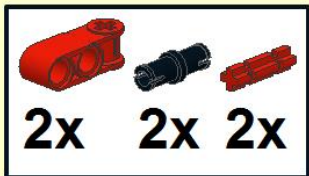
5



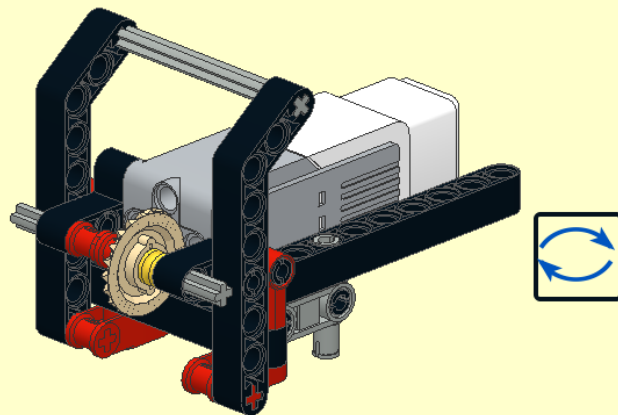
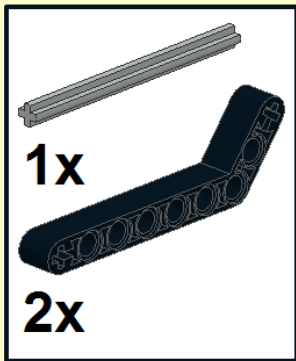
6



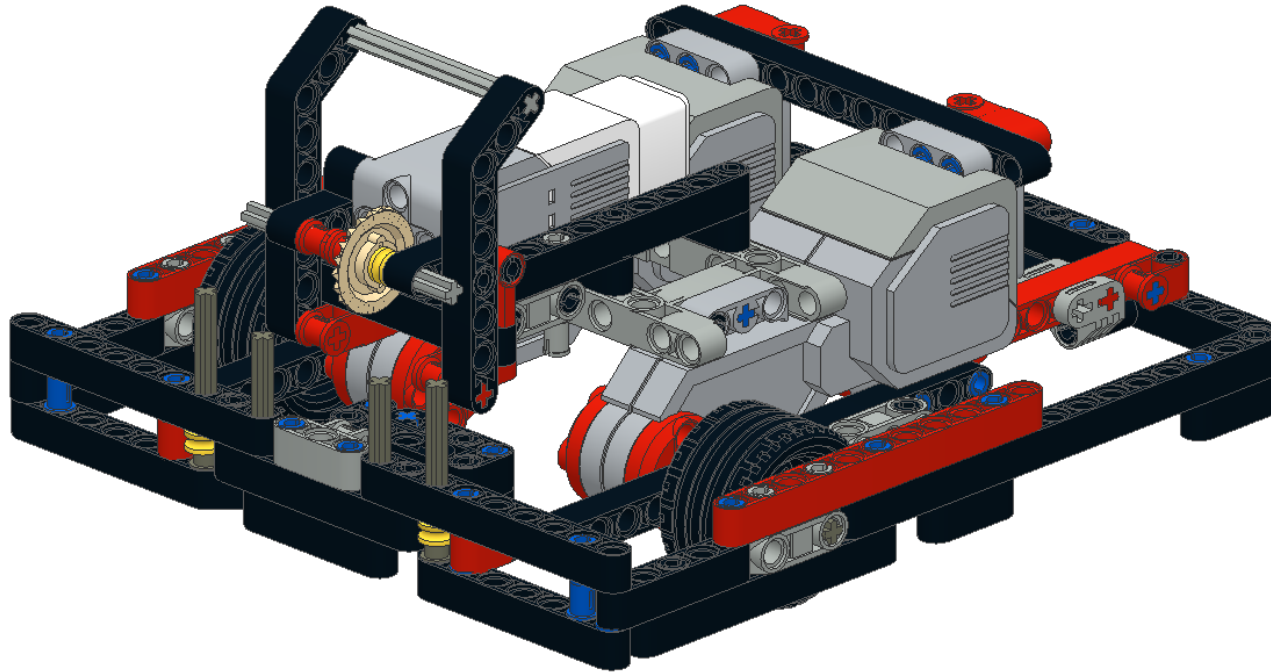
7



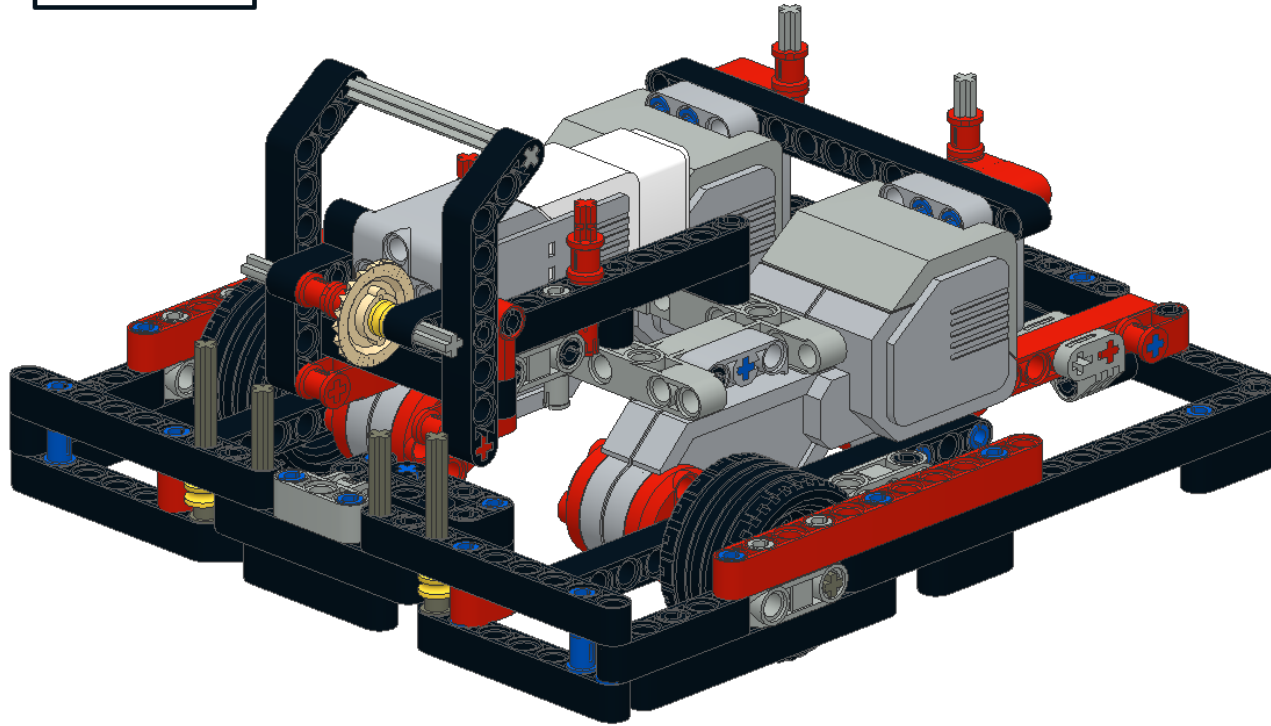
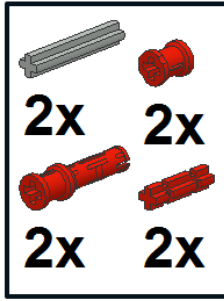
8



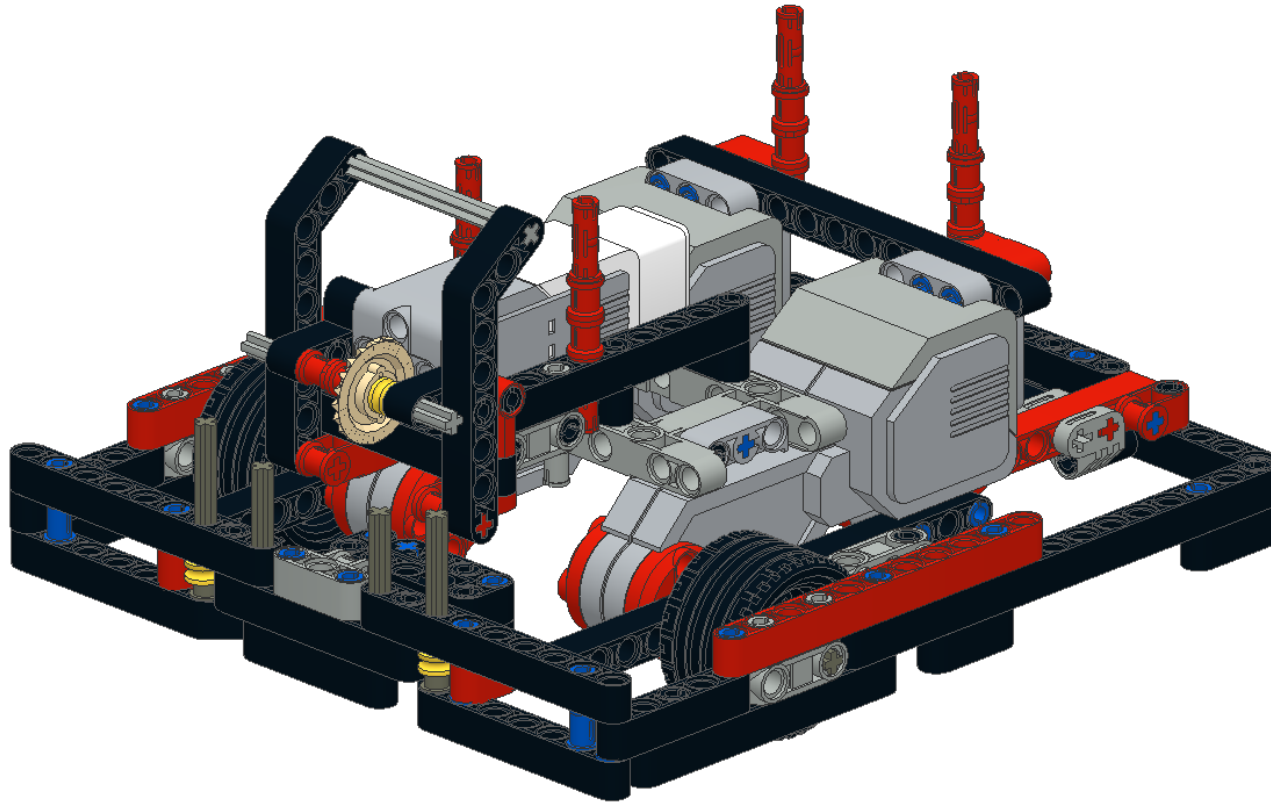
19



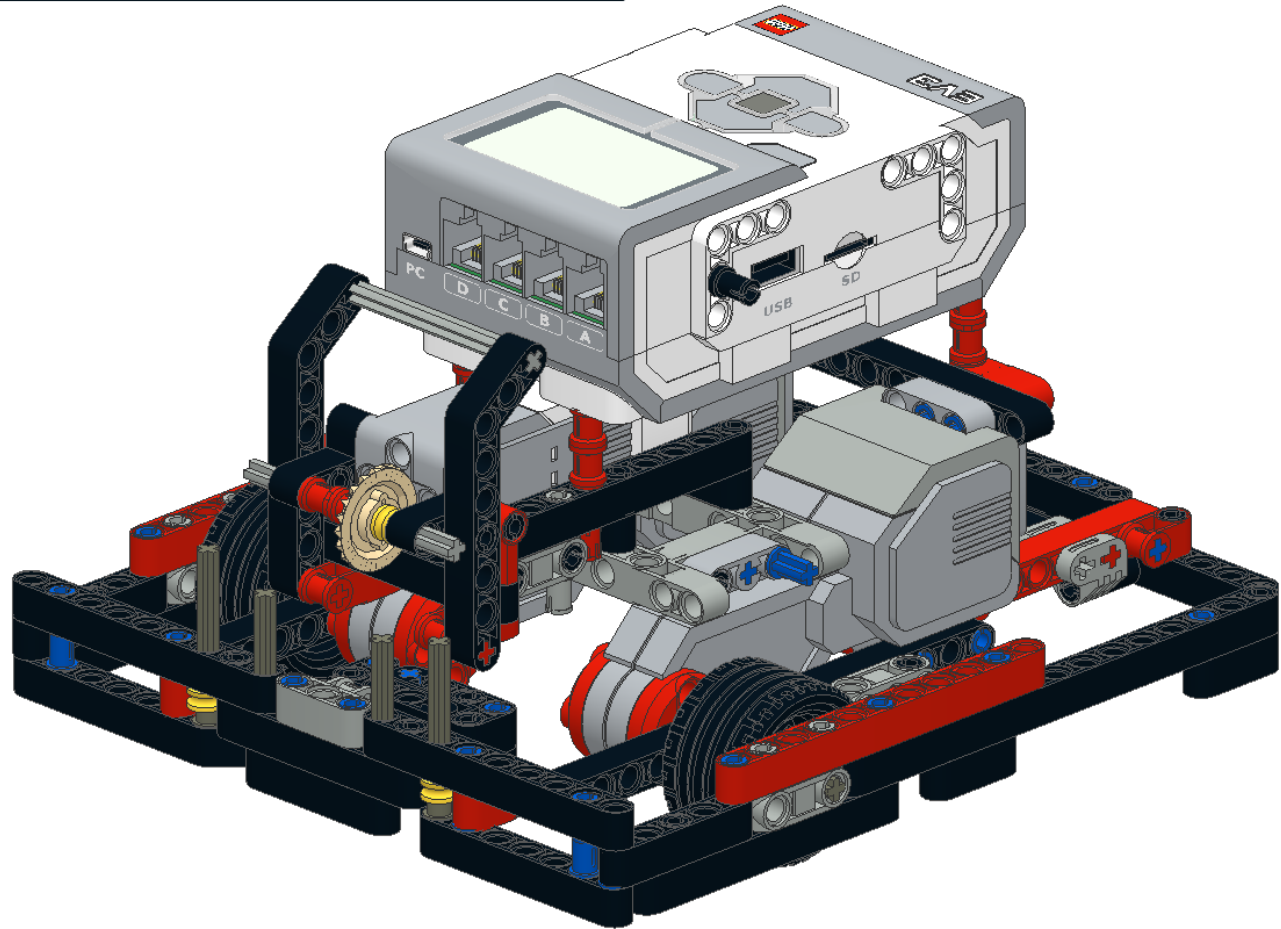
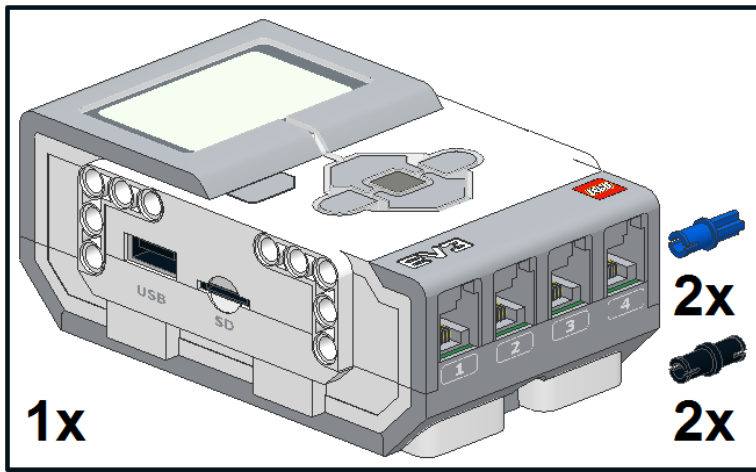
20



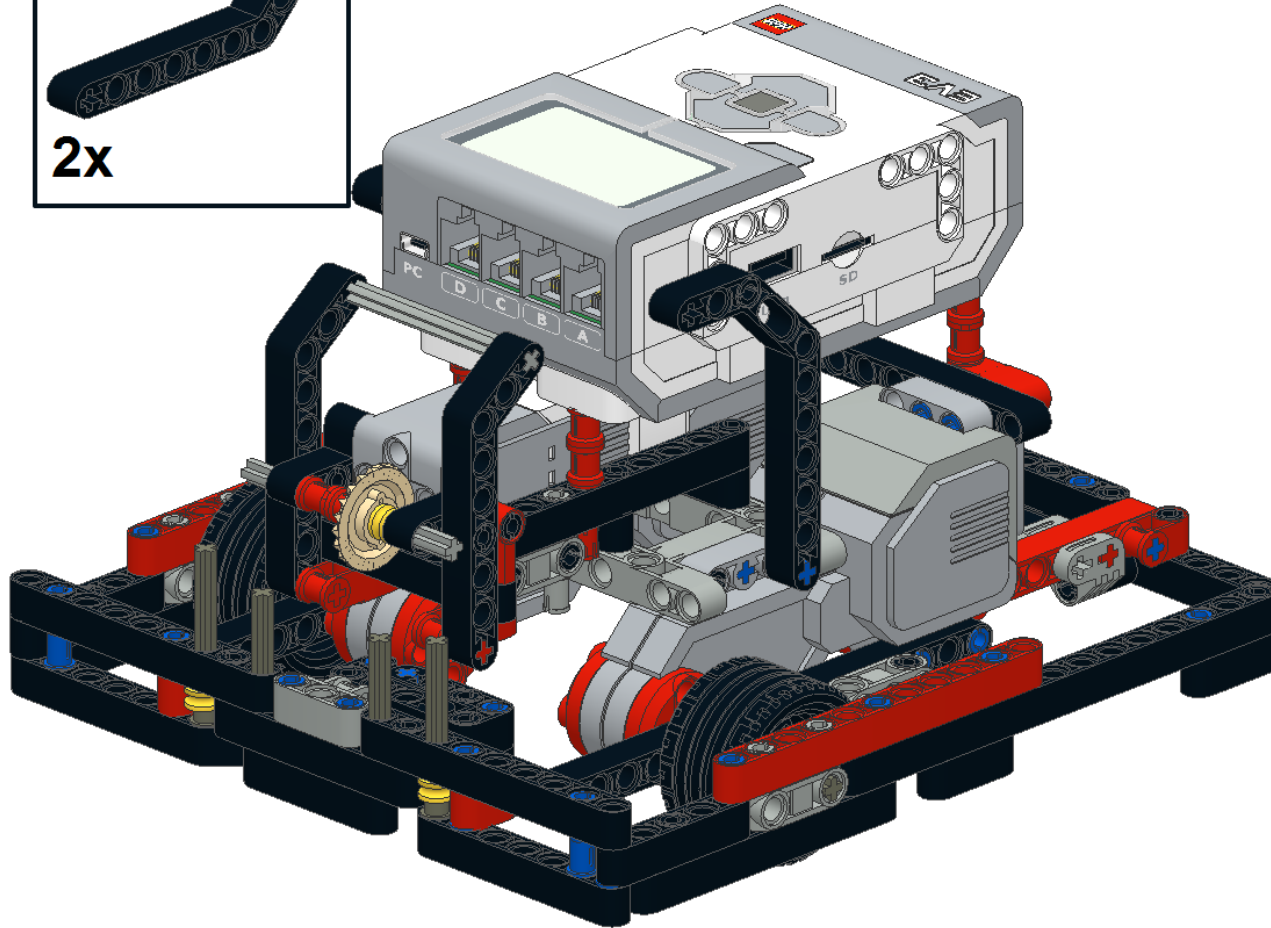
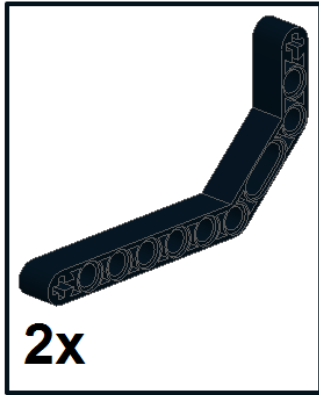
21



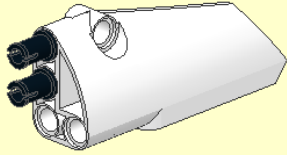
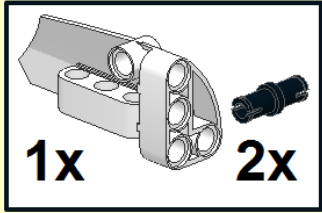
22



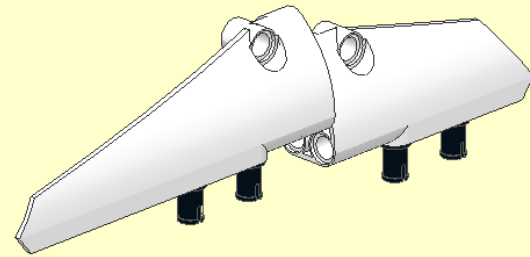
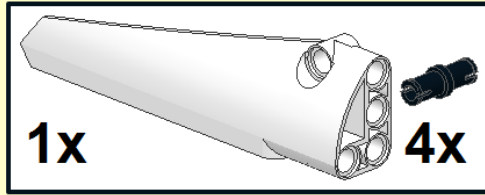
23



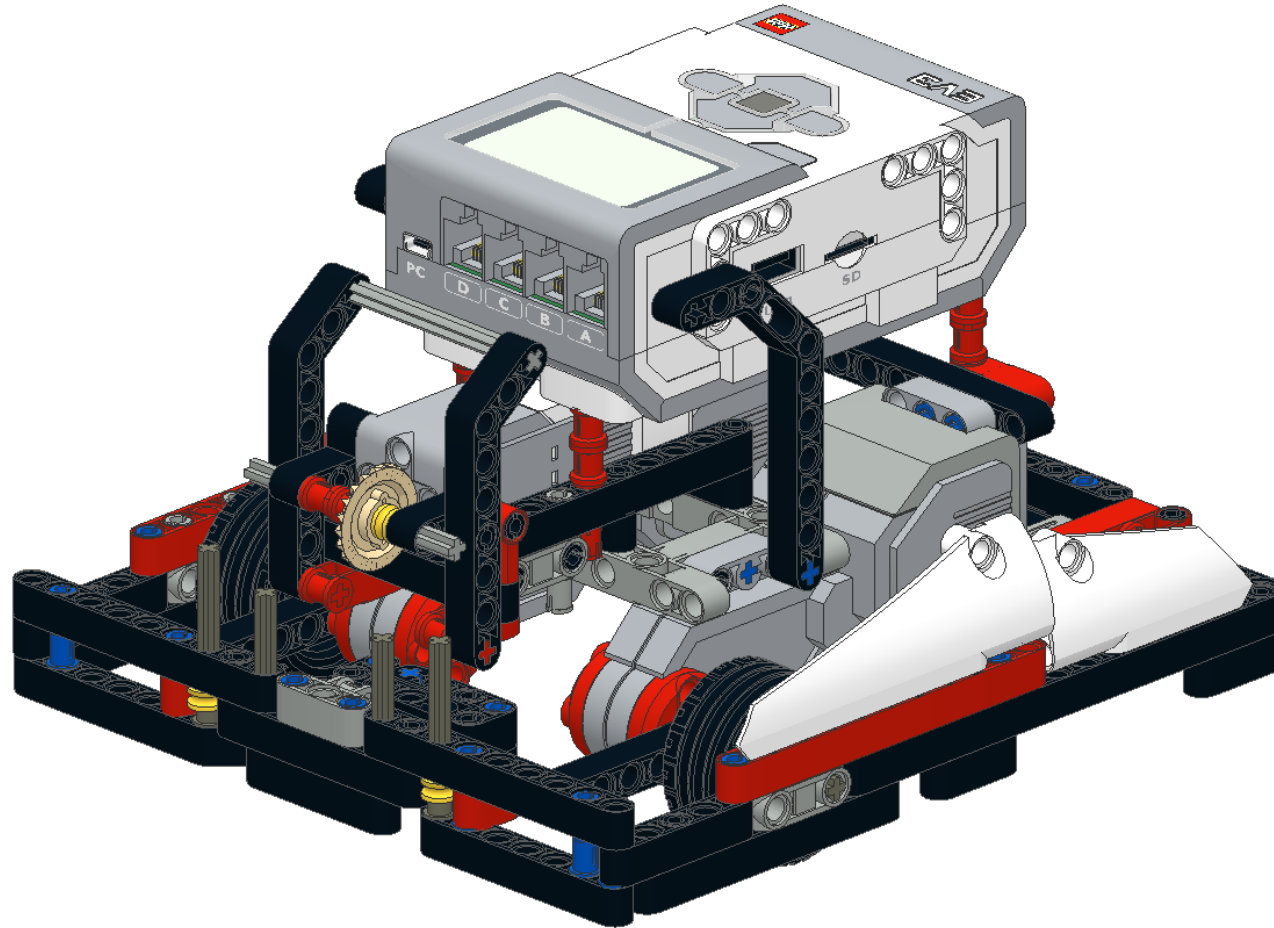
1



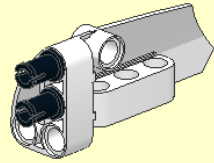
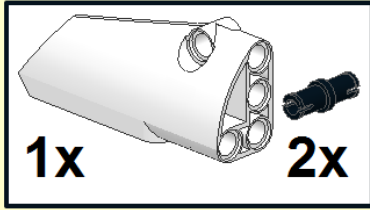
2



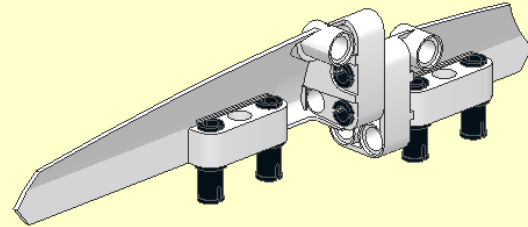
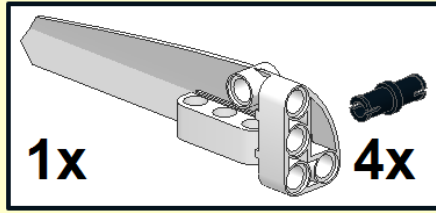
24



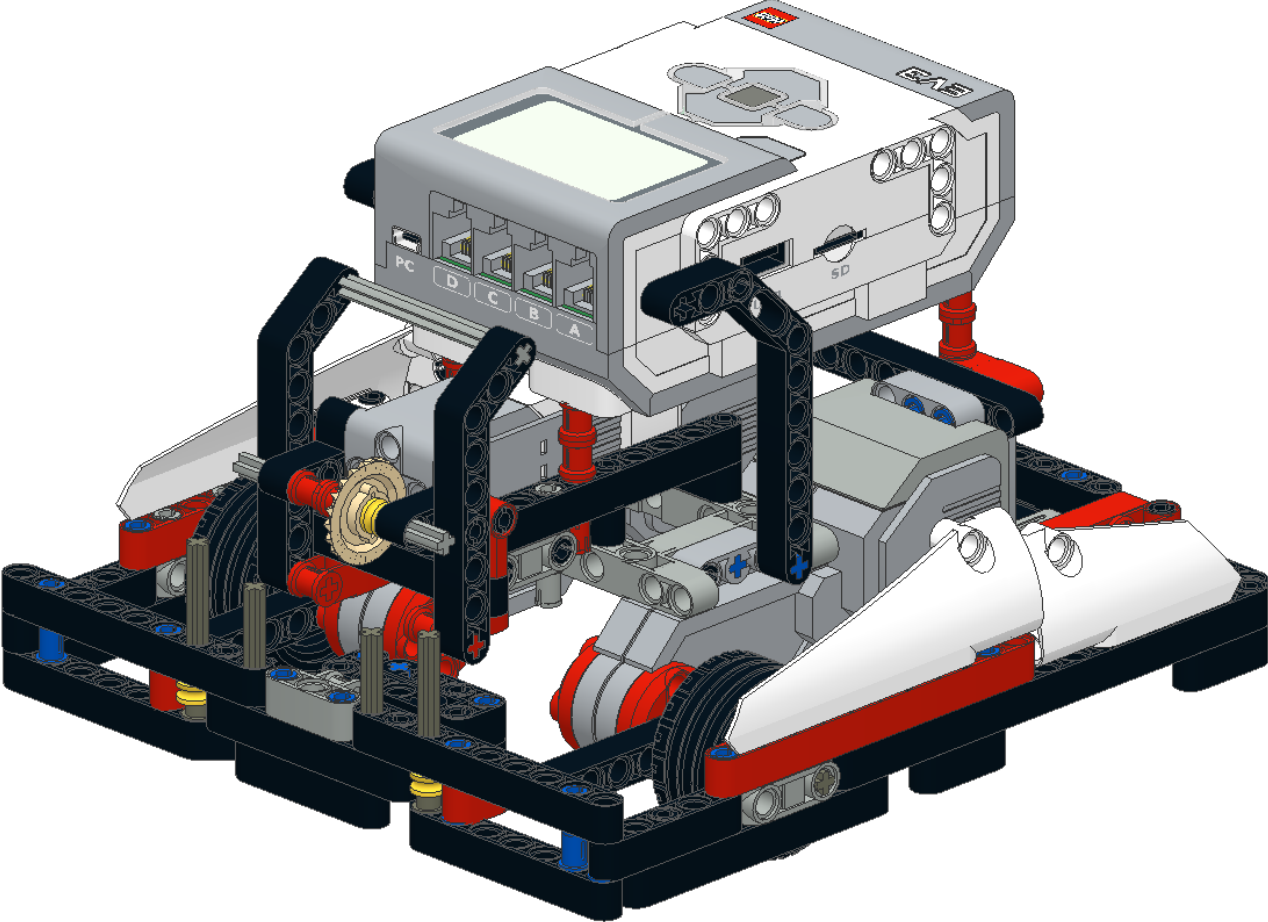
1

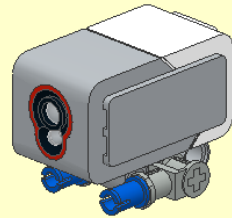
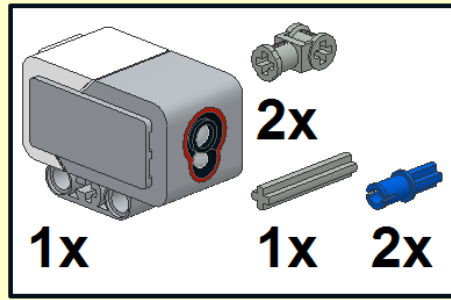


2

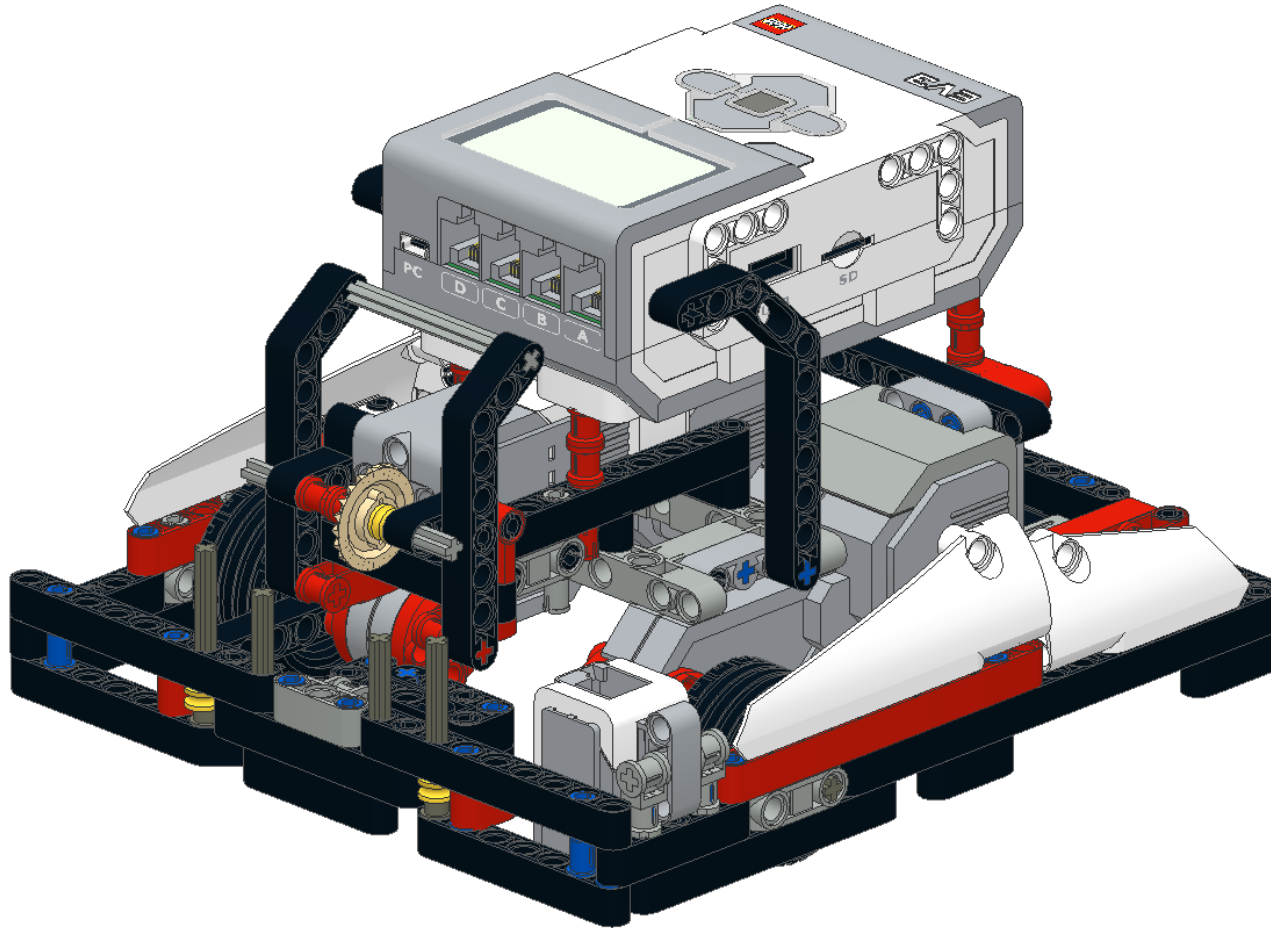


25

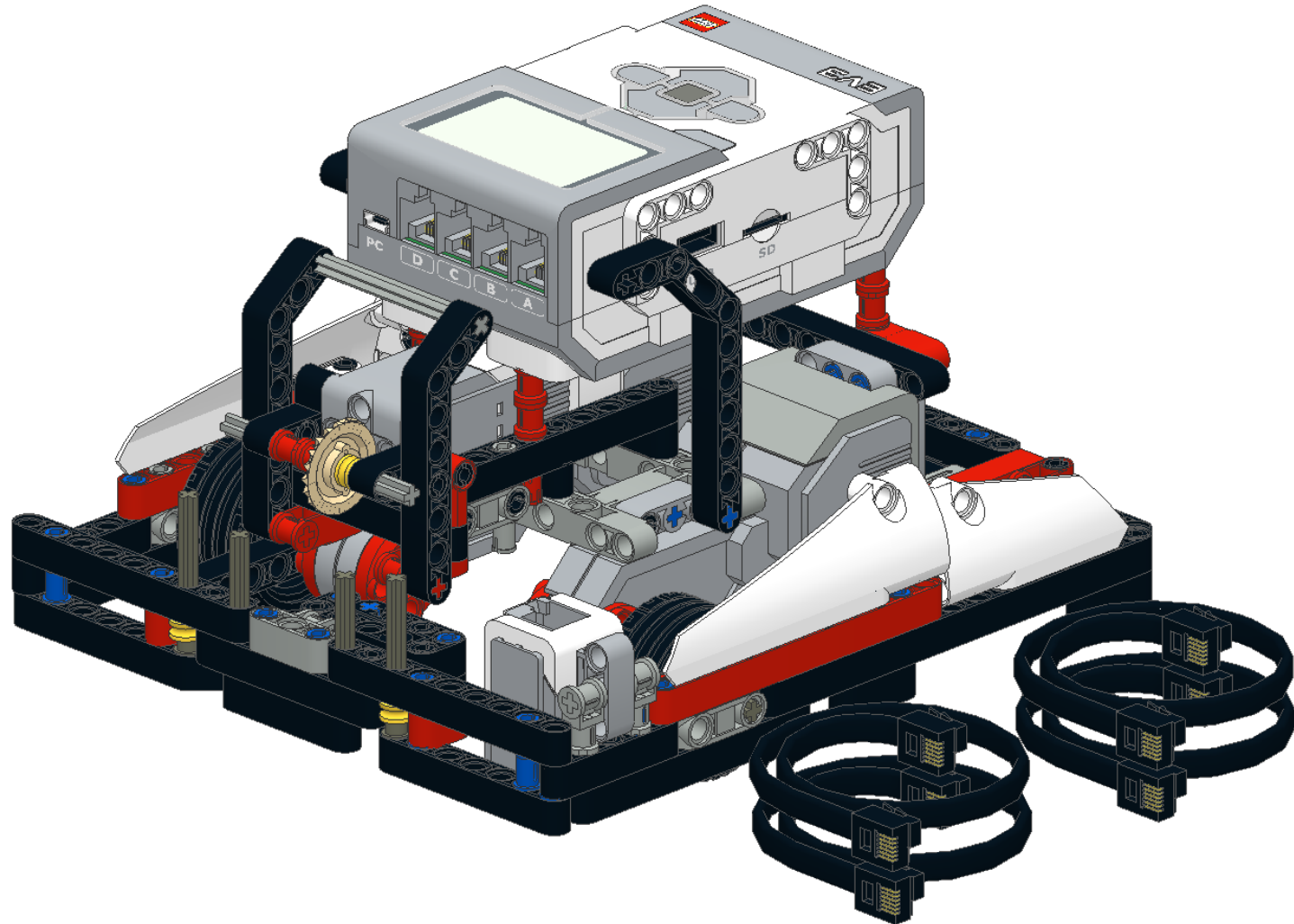
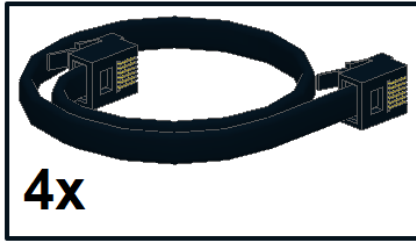


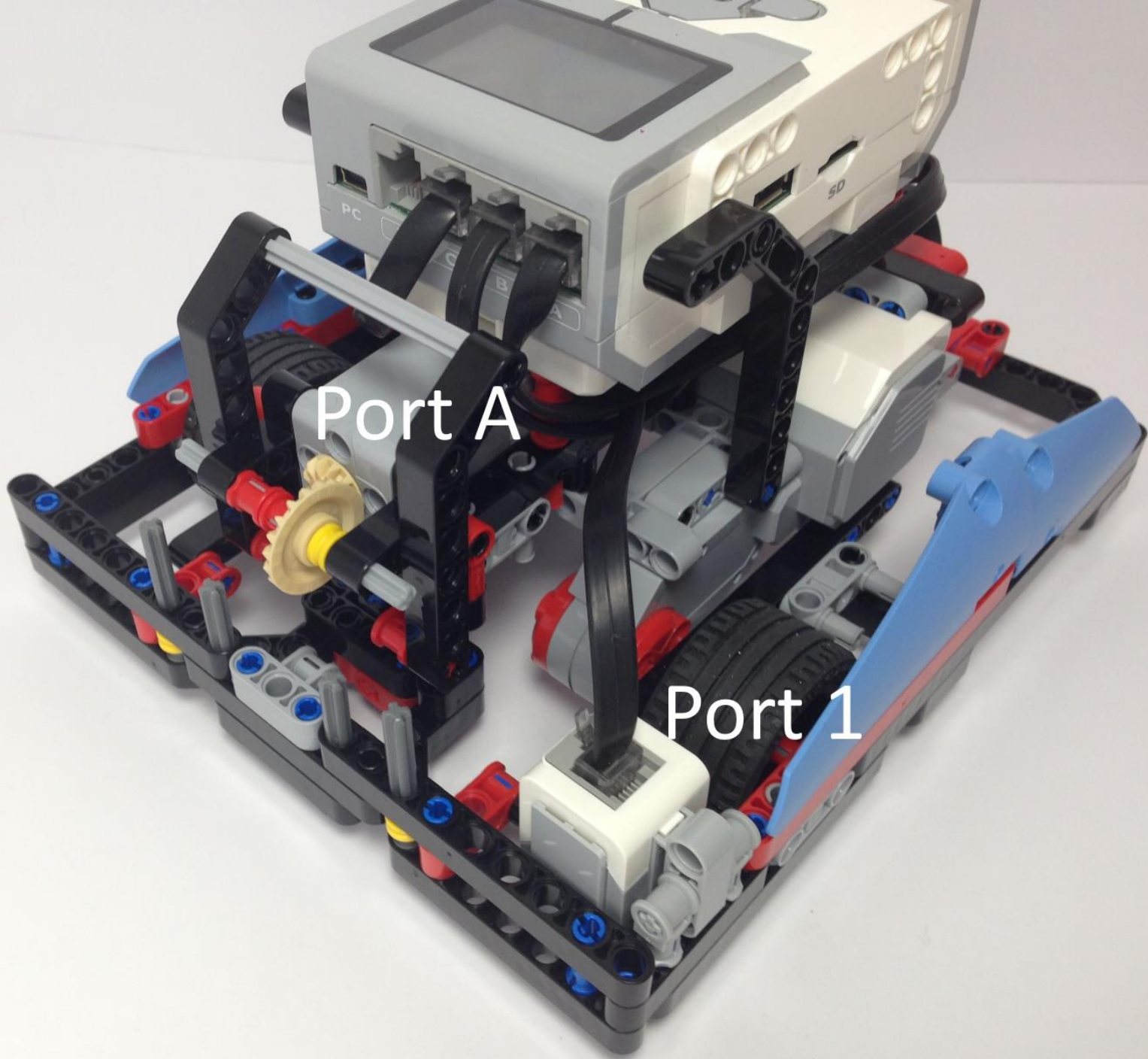


26



27





Port A

Port 1

