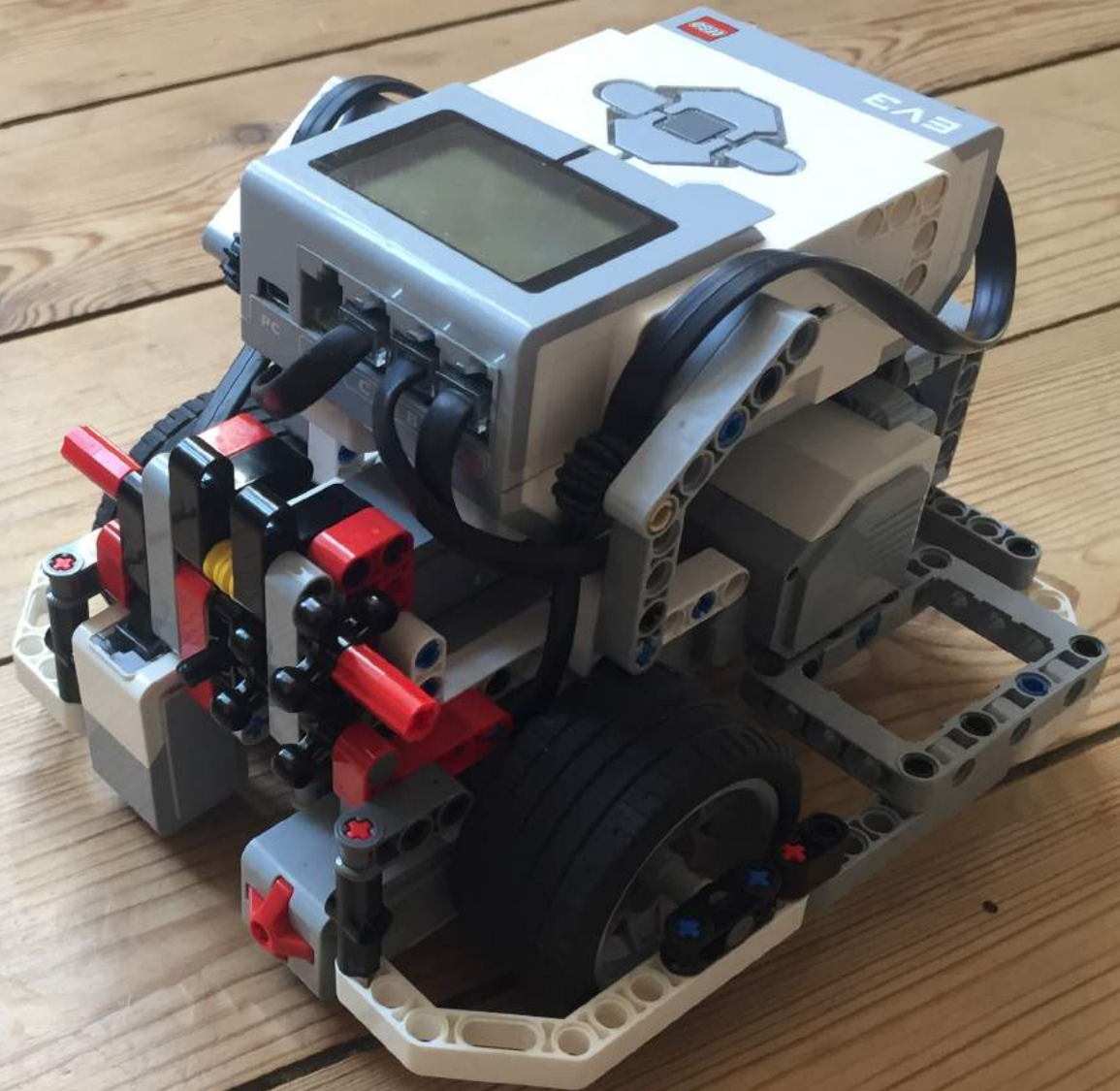


COR3

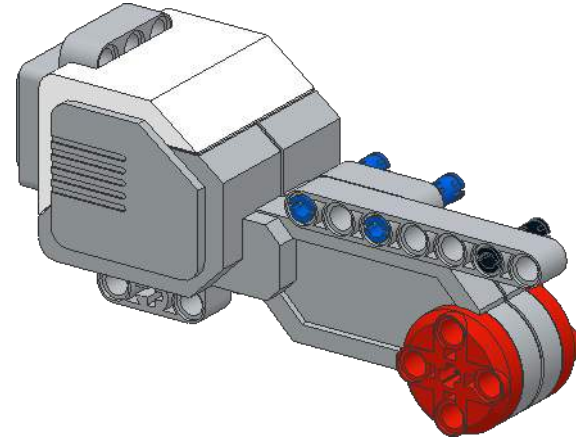
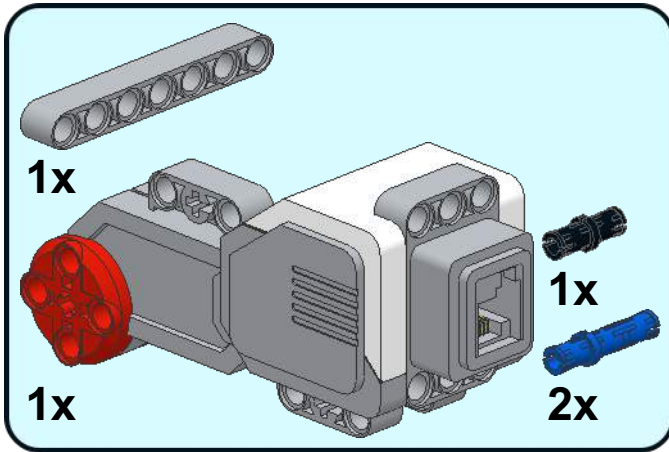
FLL Base Robot



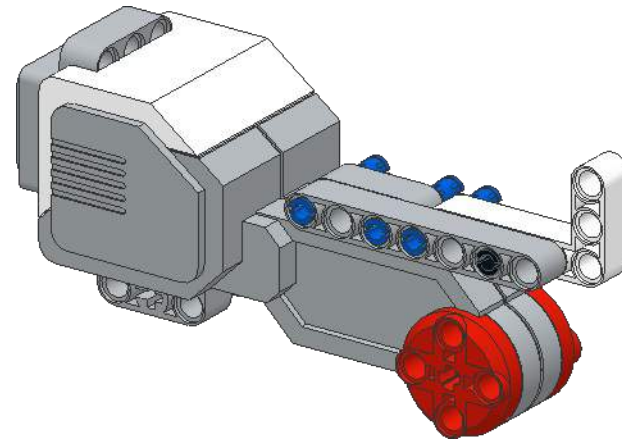
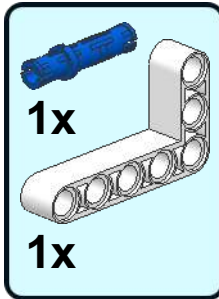
This Robot is designed for use in FLL and for teaching purposes. It is very easy to build new tools for and, most importantly, it can be built from a single MINDSTORMS EV3 education set.



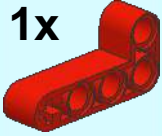
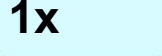
- Have fun, Michael Buss Andersen

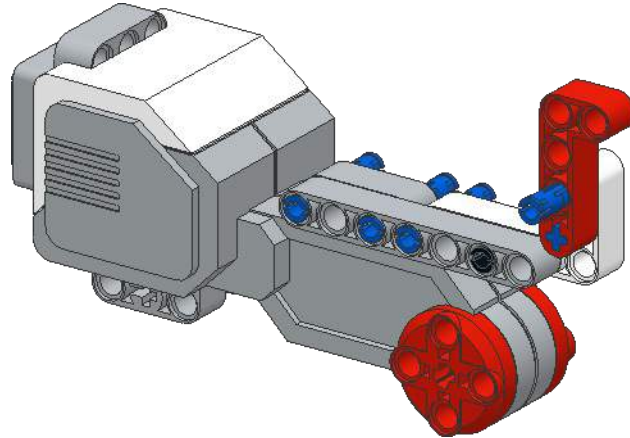
1


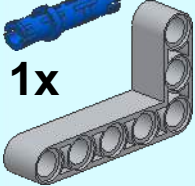
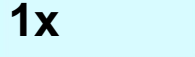


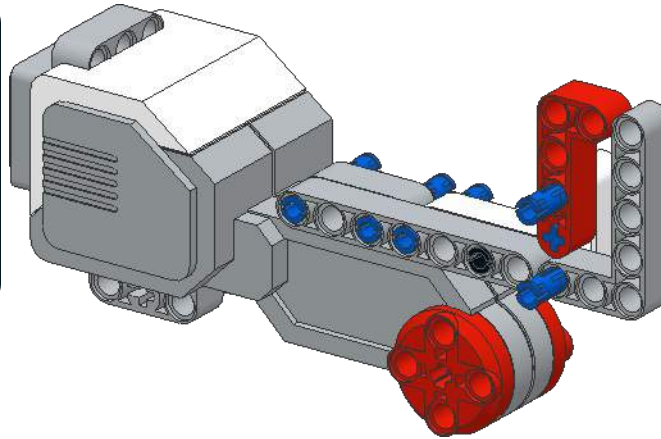
2



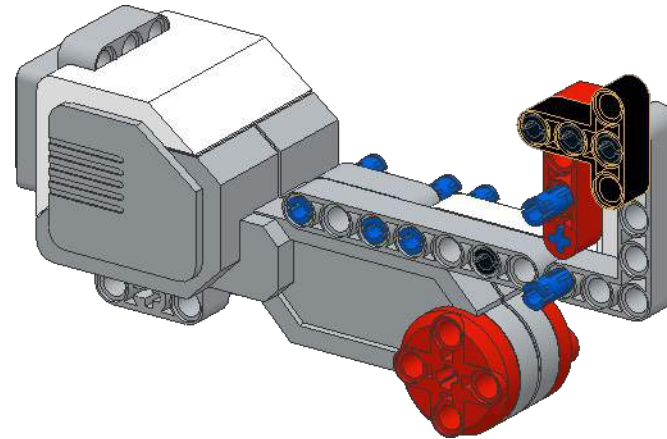
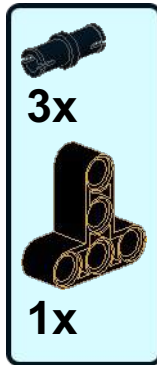
- 3**
- 1x 
 - 1x 
 - 1x 
 - 1x 



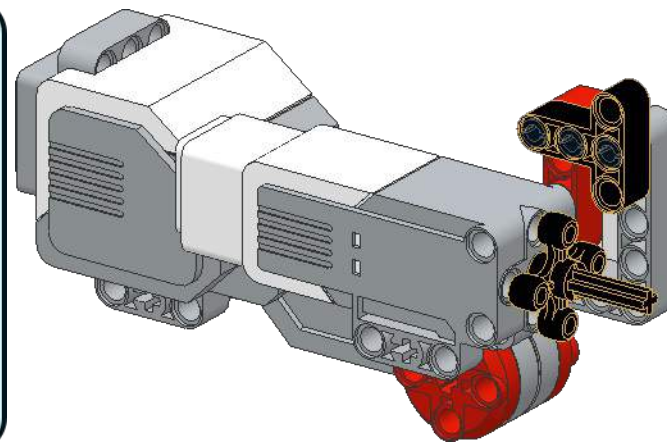
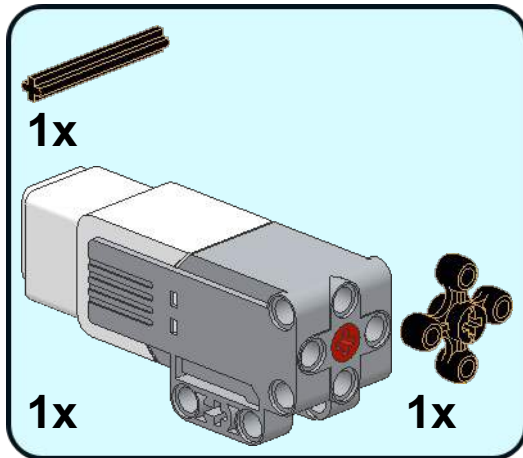
- 4**
- 1x 
 - 1x 
 - 1x 



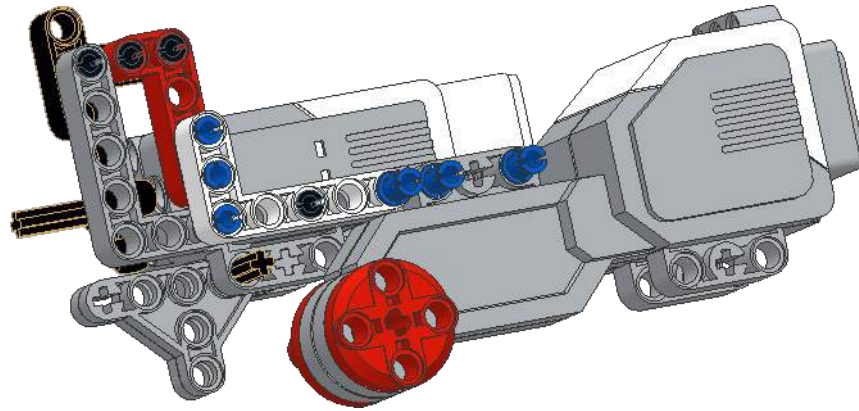
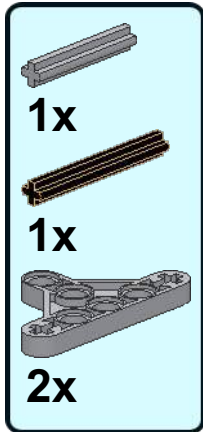
5



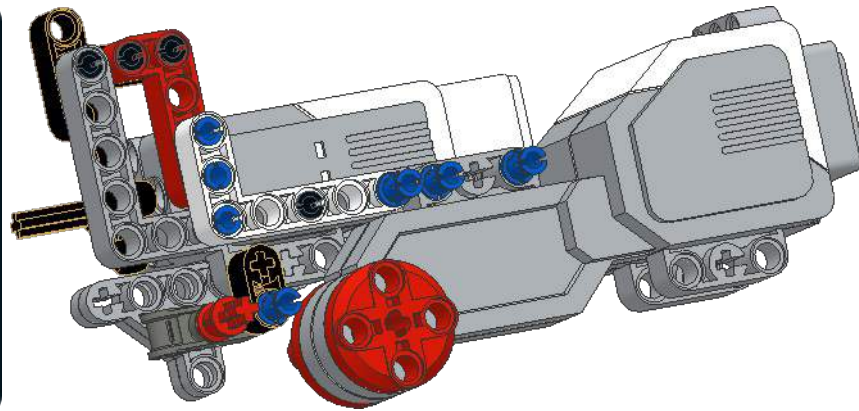
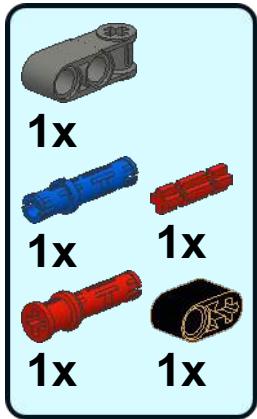
6



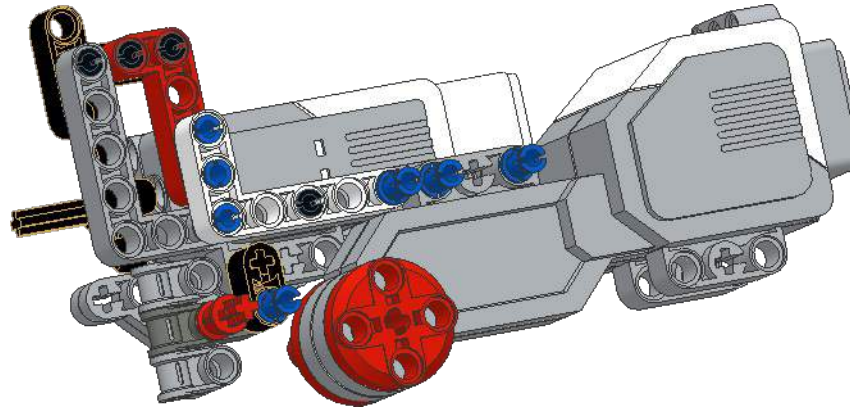
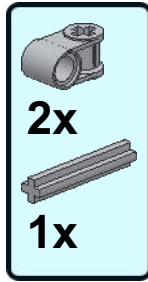
7



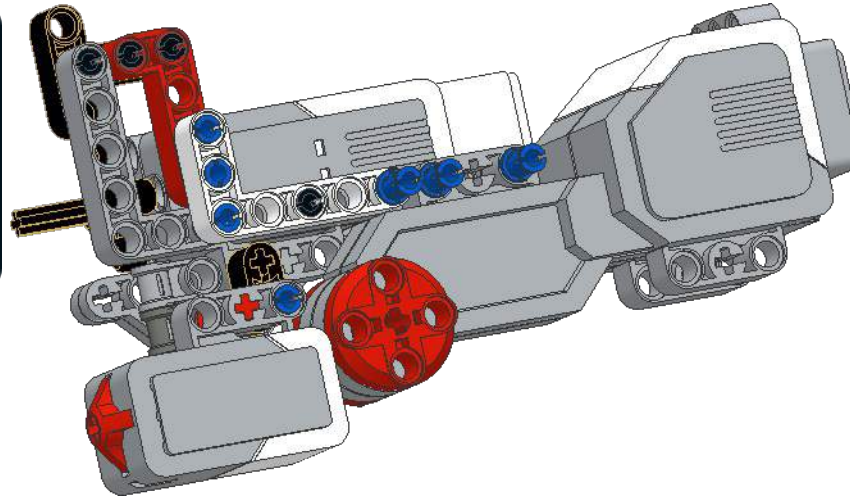
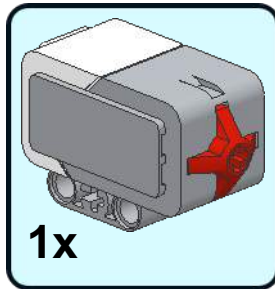
8



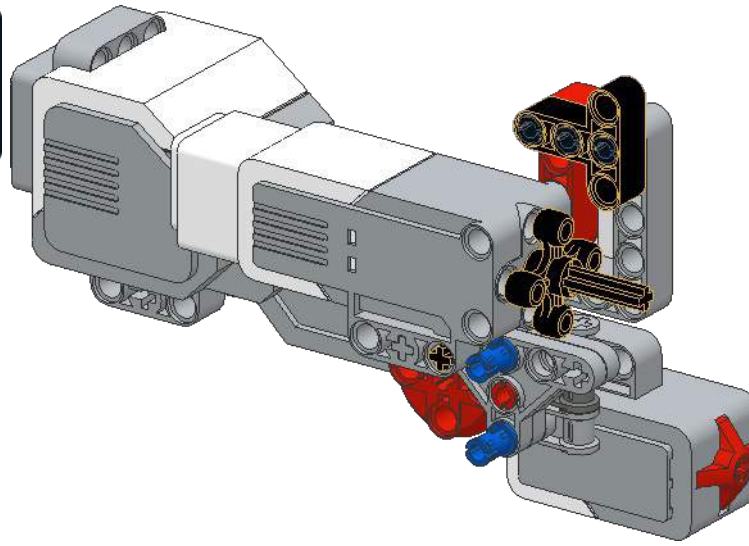
9



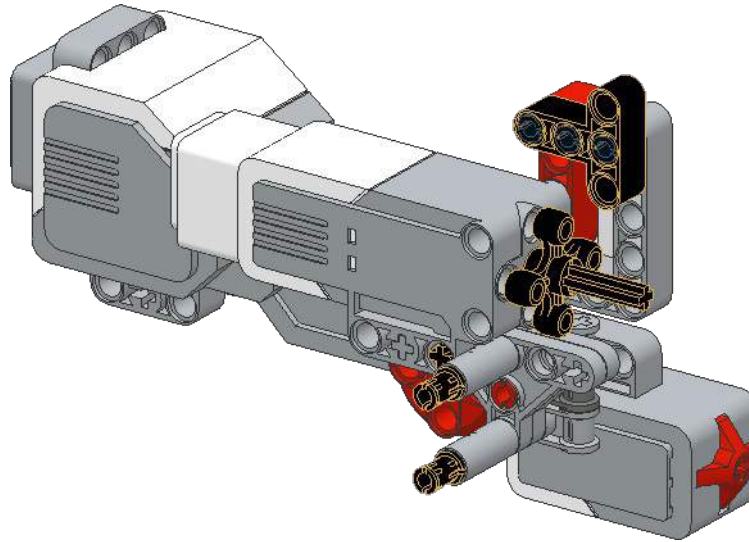
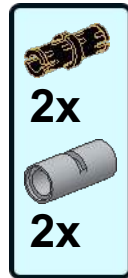
10



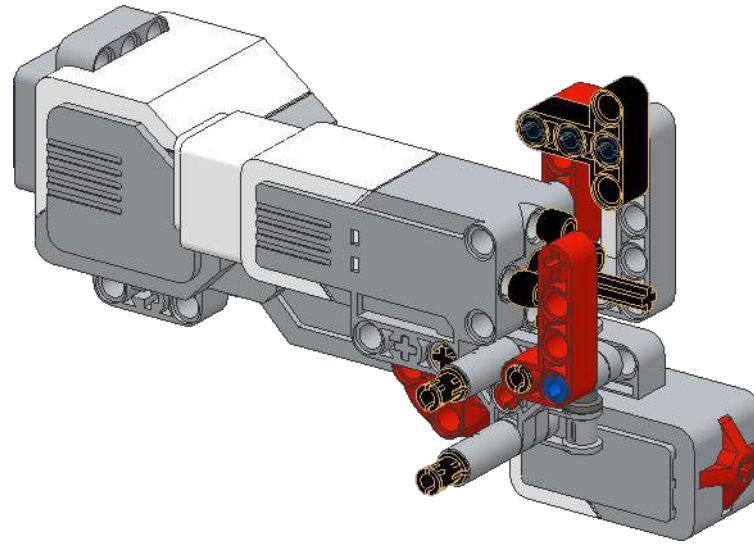
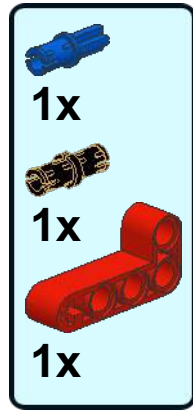
11



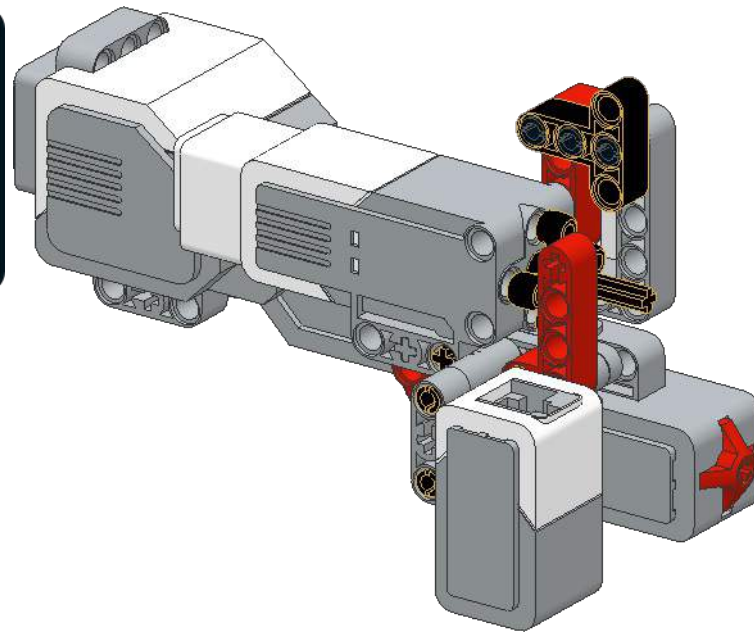
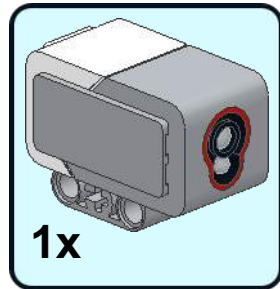
12



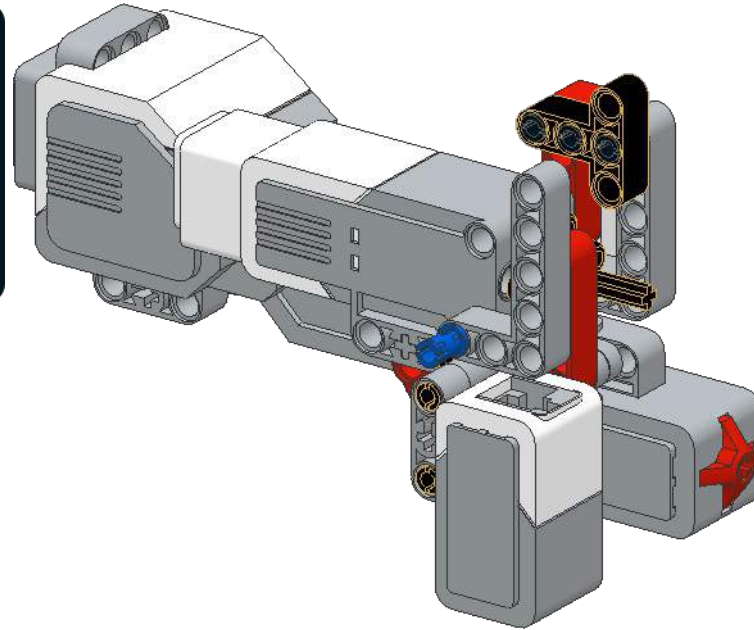
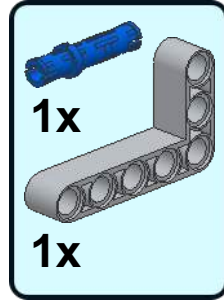
13



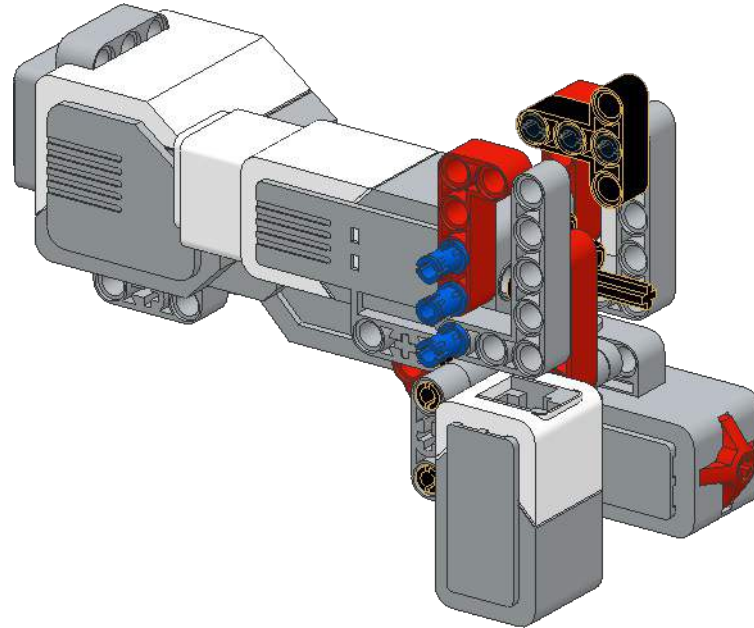
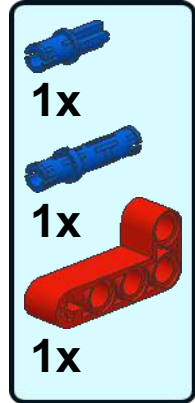
14



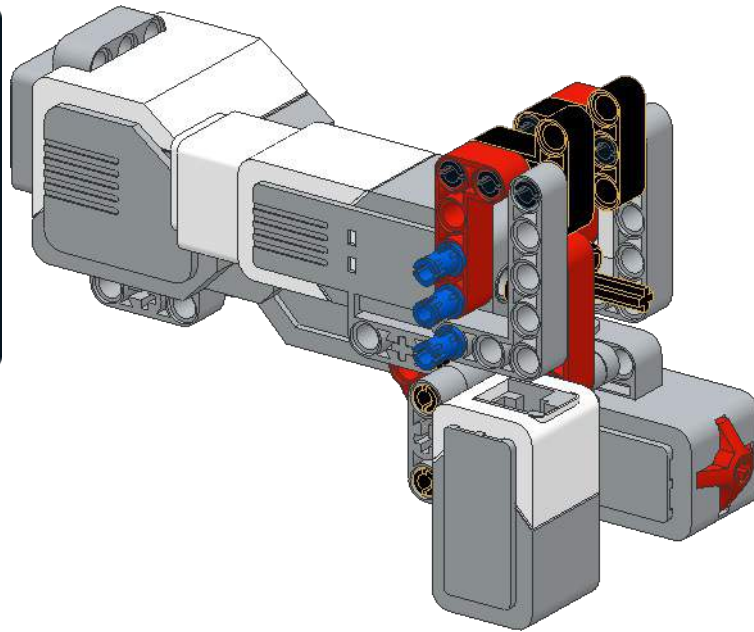
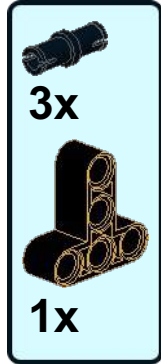
15



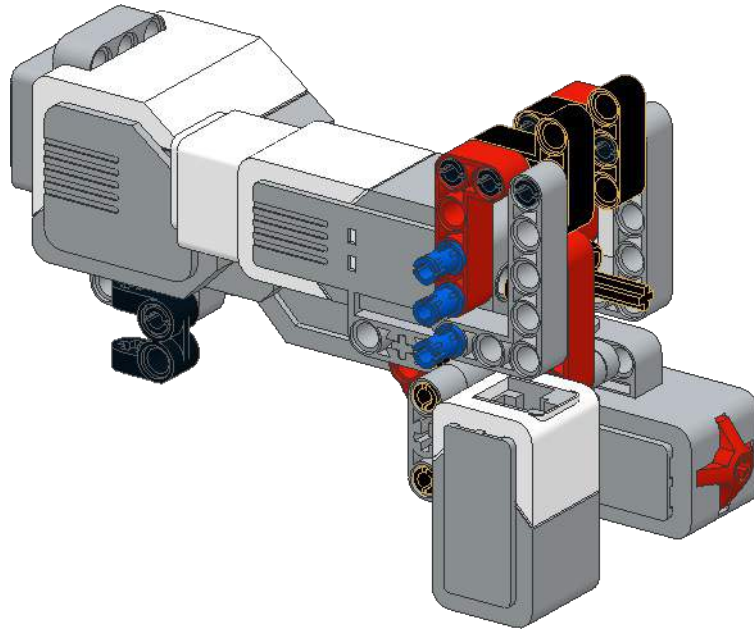
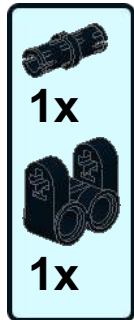
16



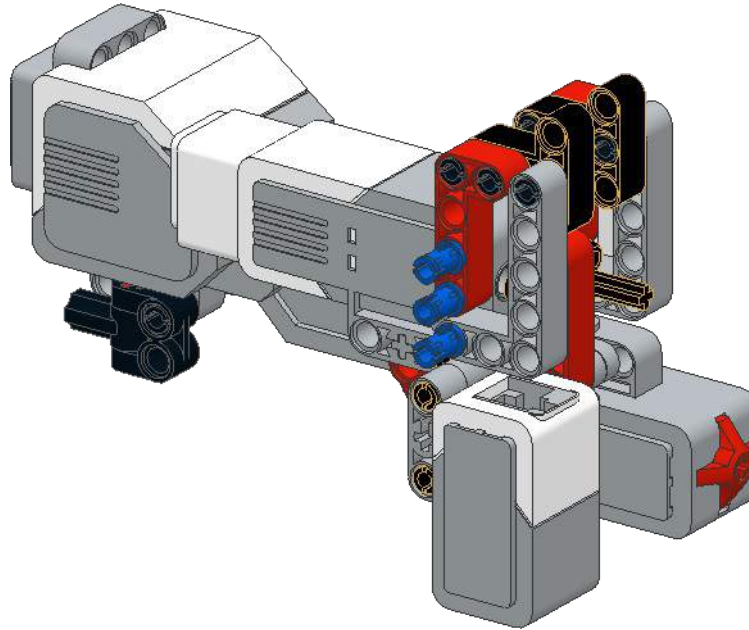
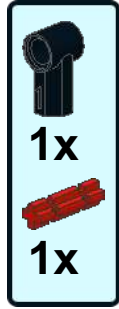
17



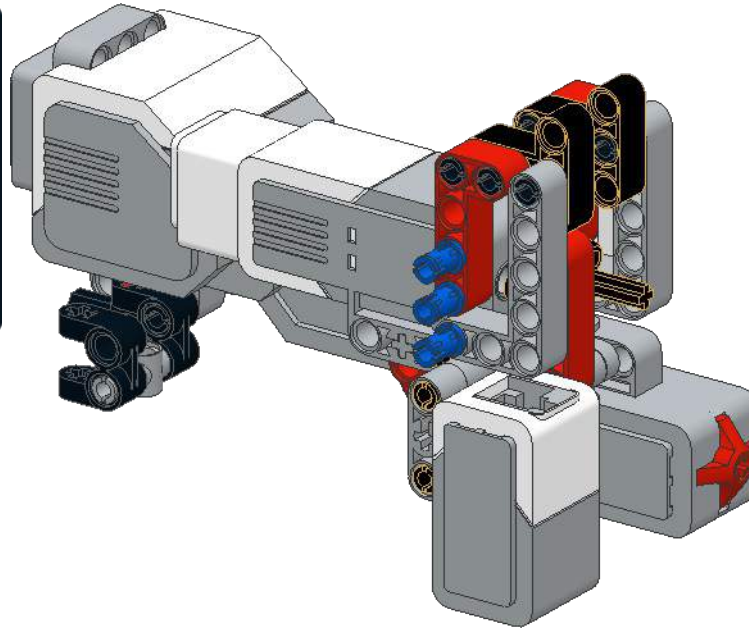
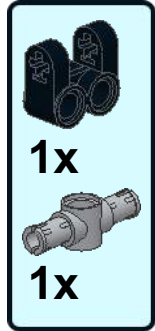
18



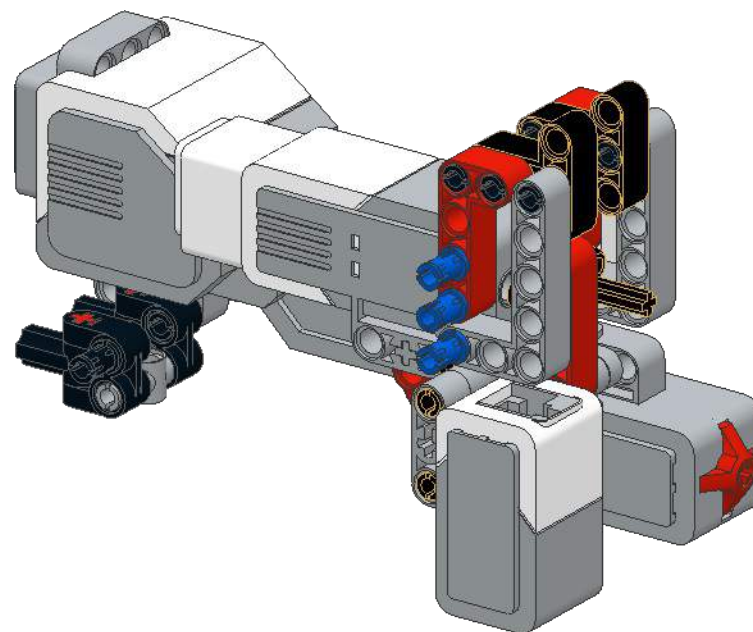
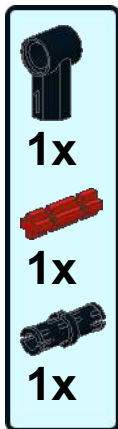
19



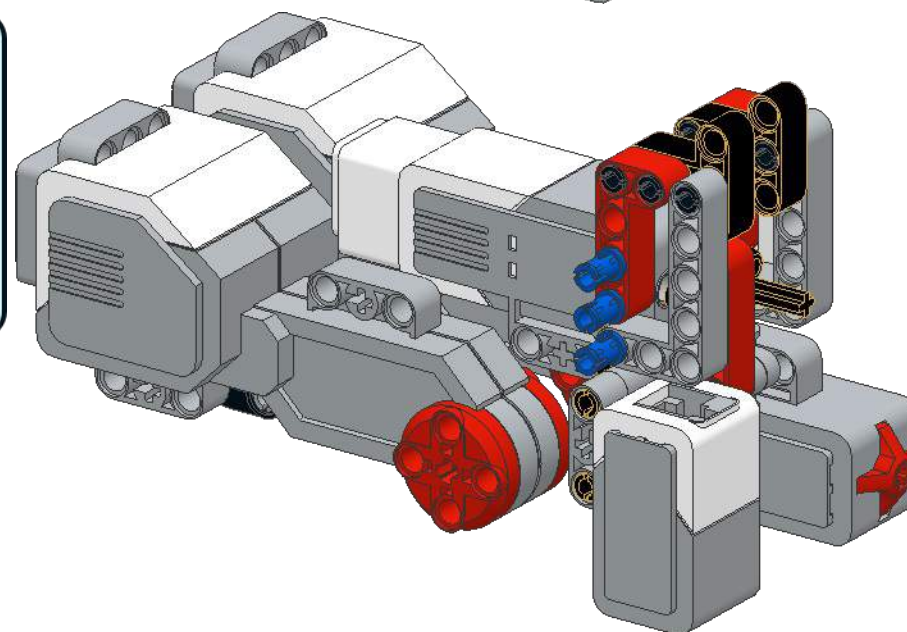
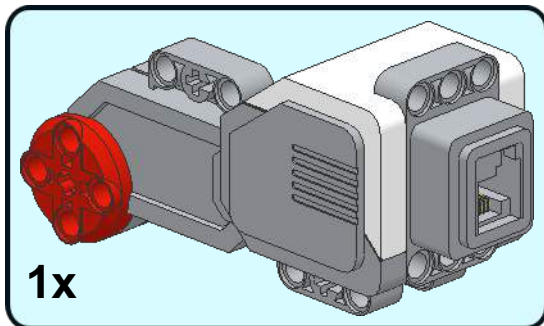
20



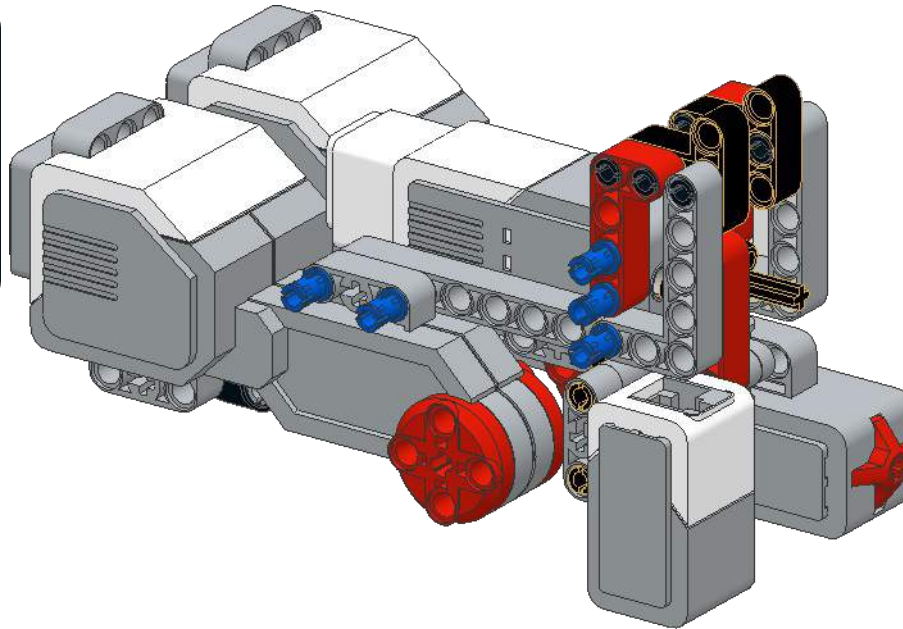
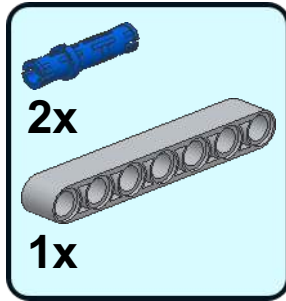
21



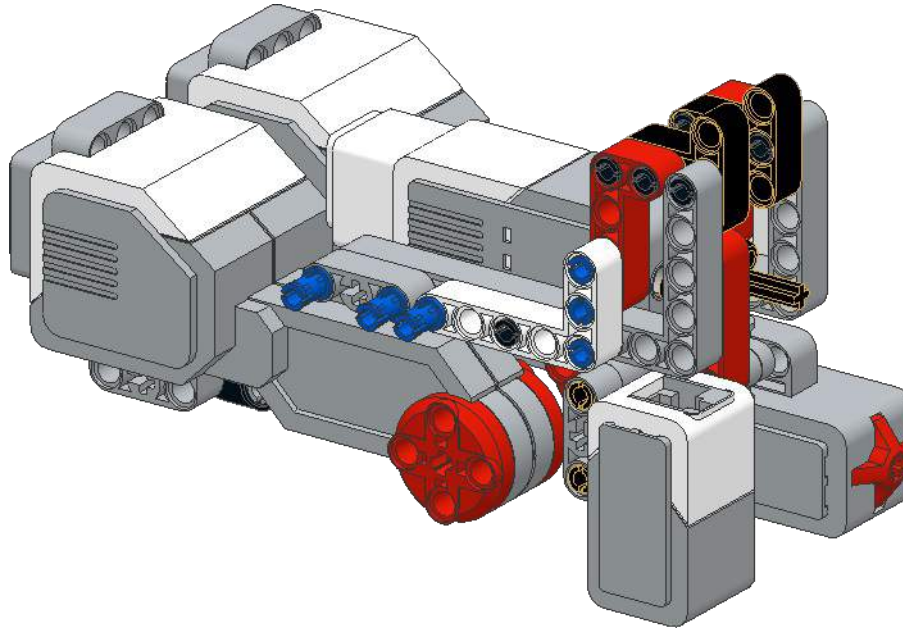
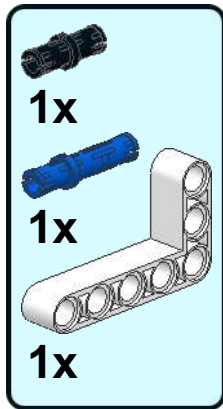
22



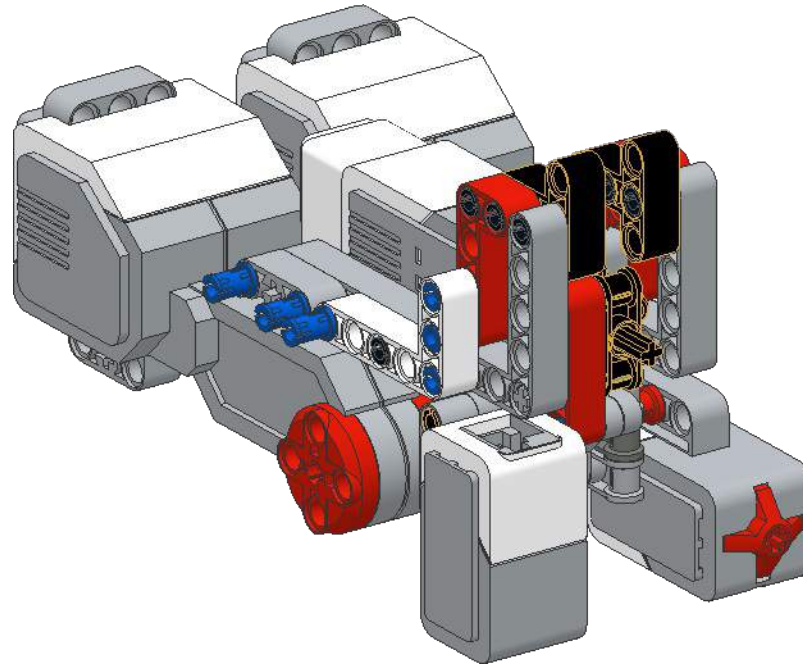
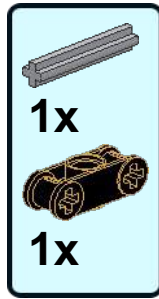
23



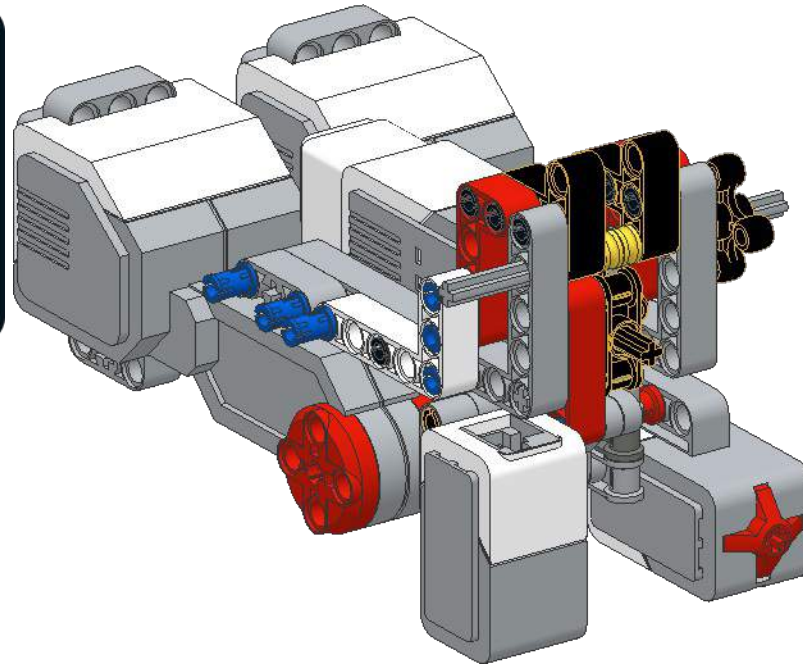
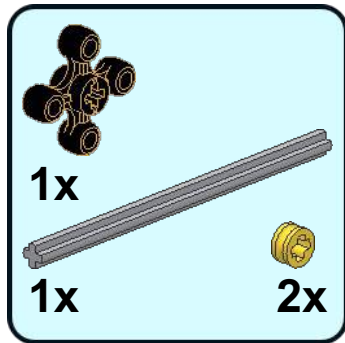
24



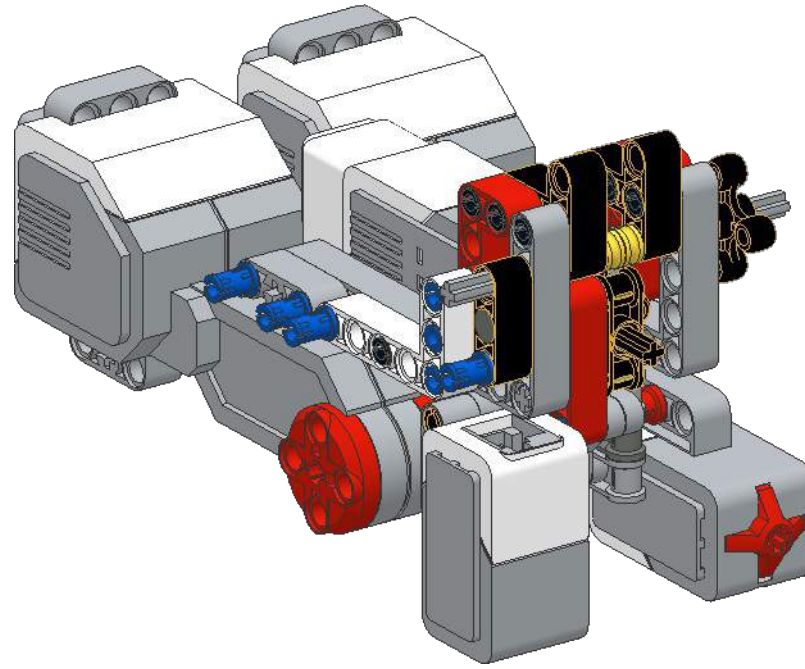
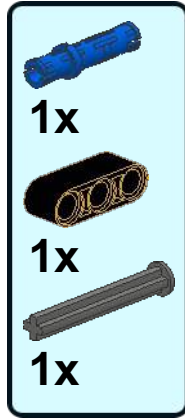
25



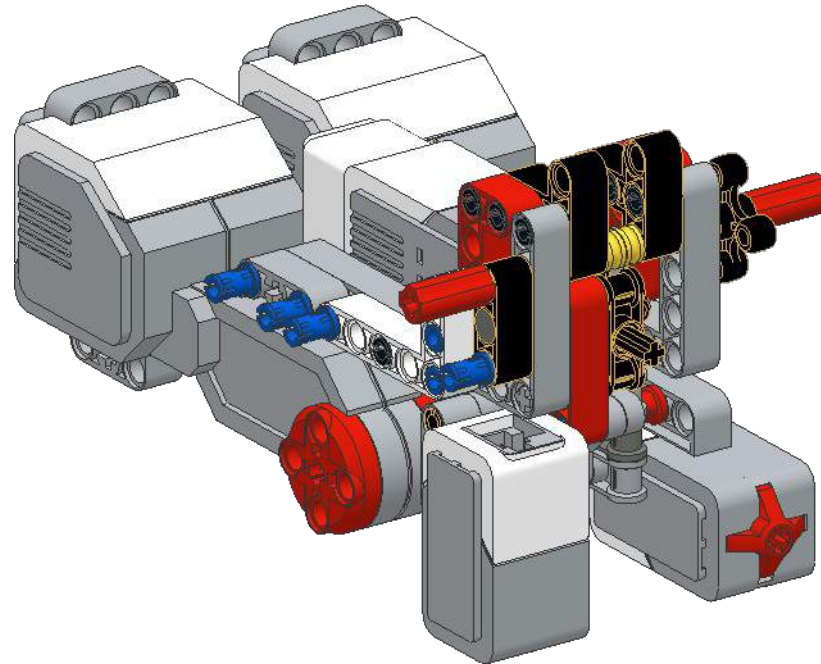
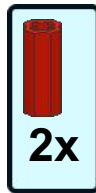
26



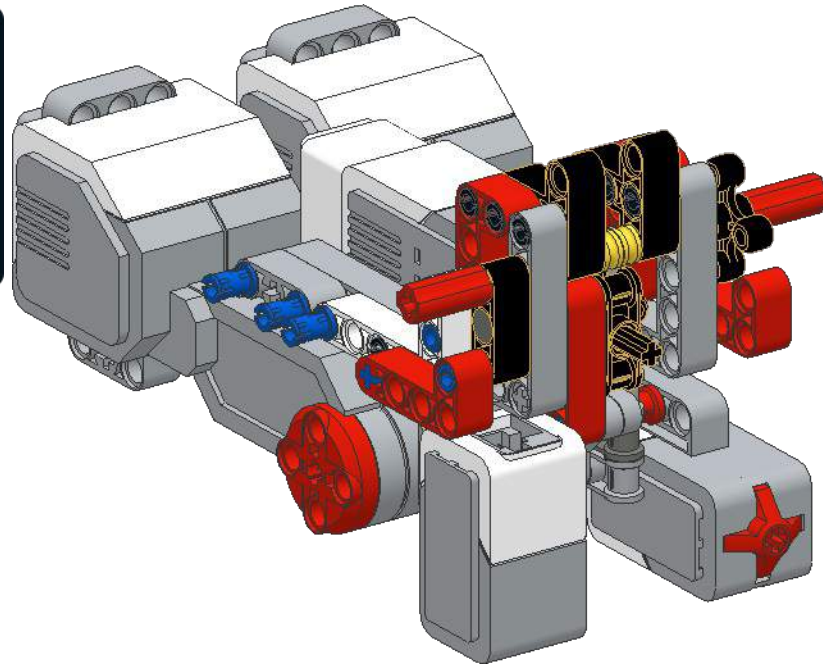
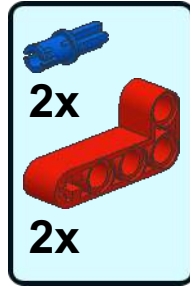
27



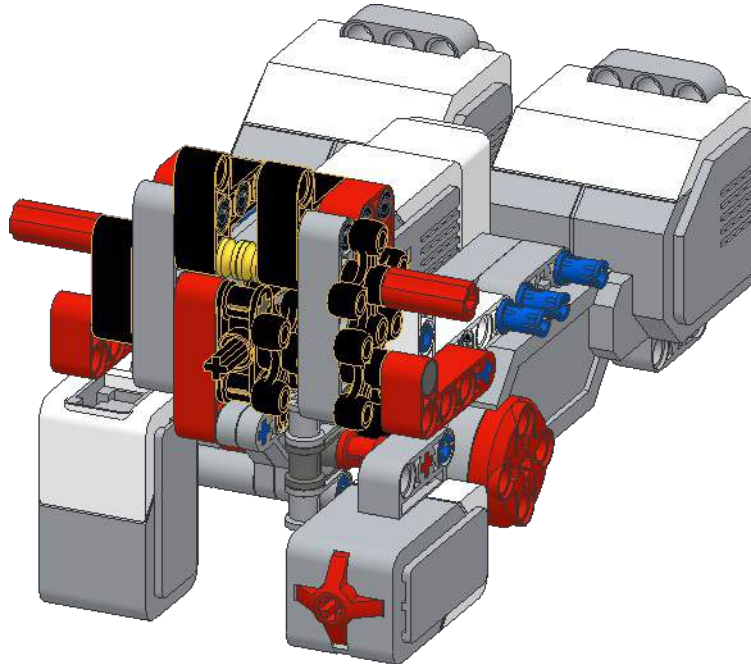
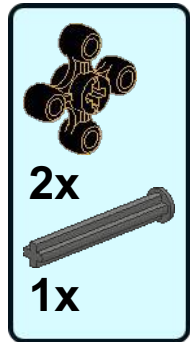
28



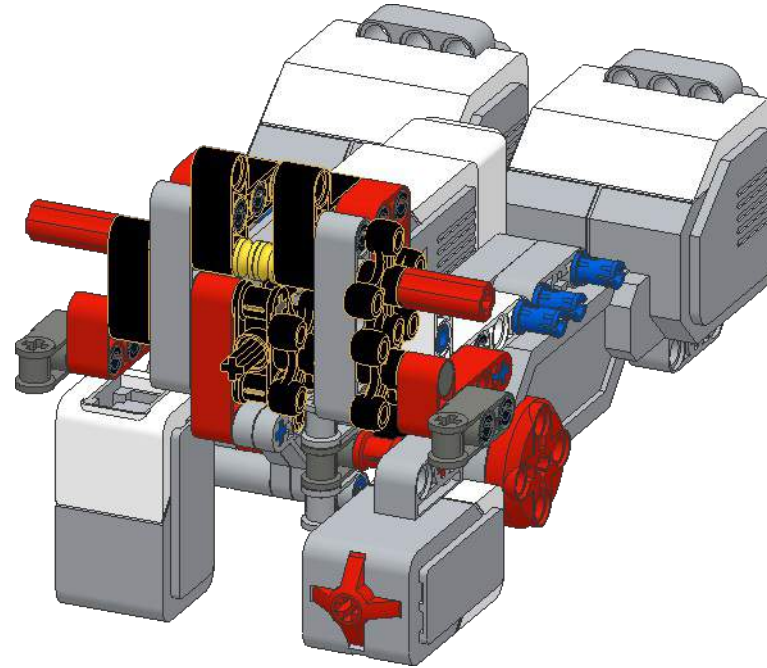
29



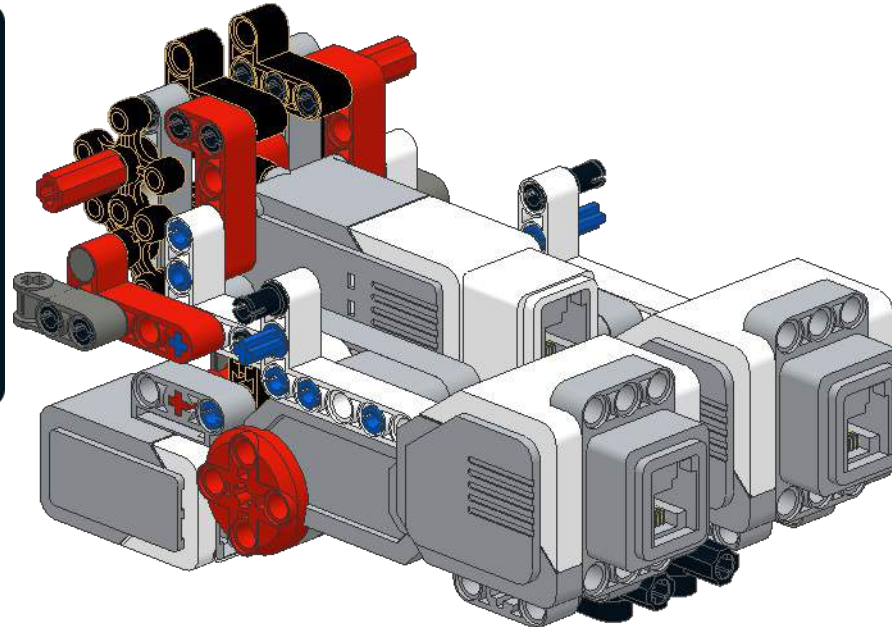
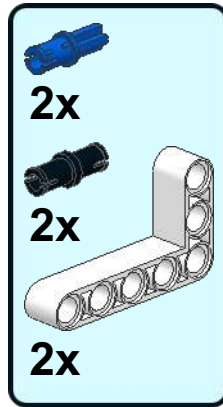
30



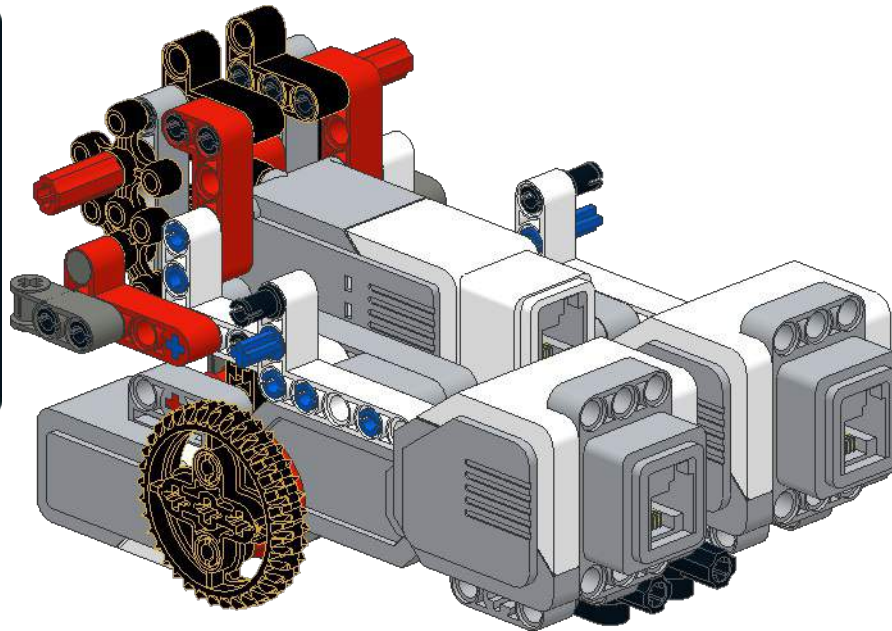
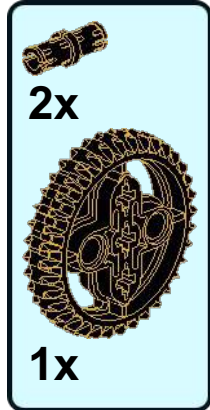
31



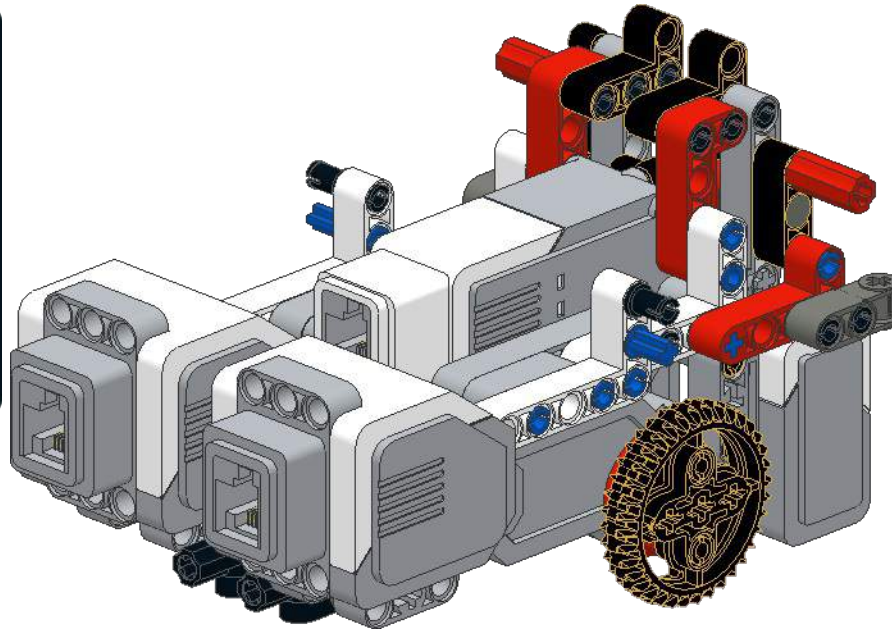
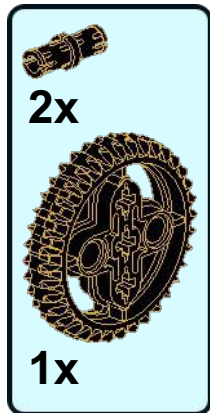
32



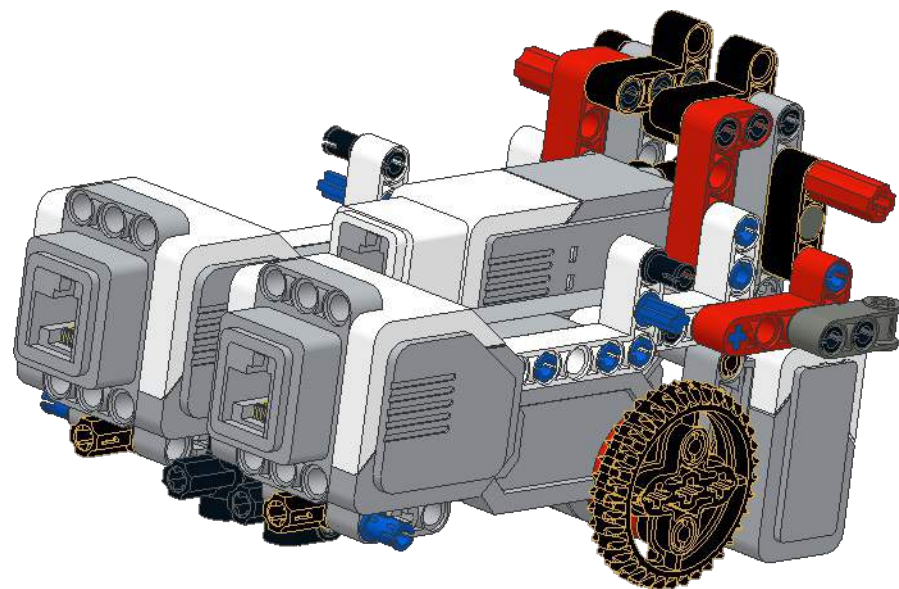
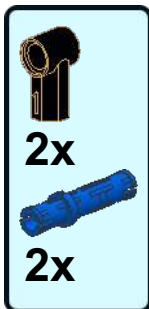
33



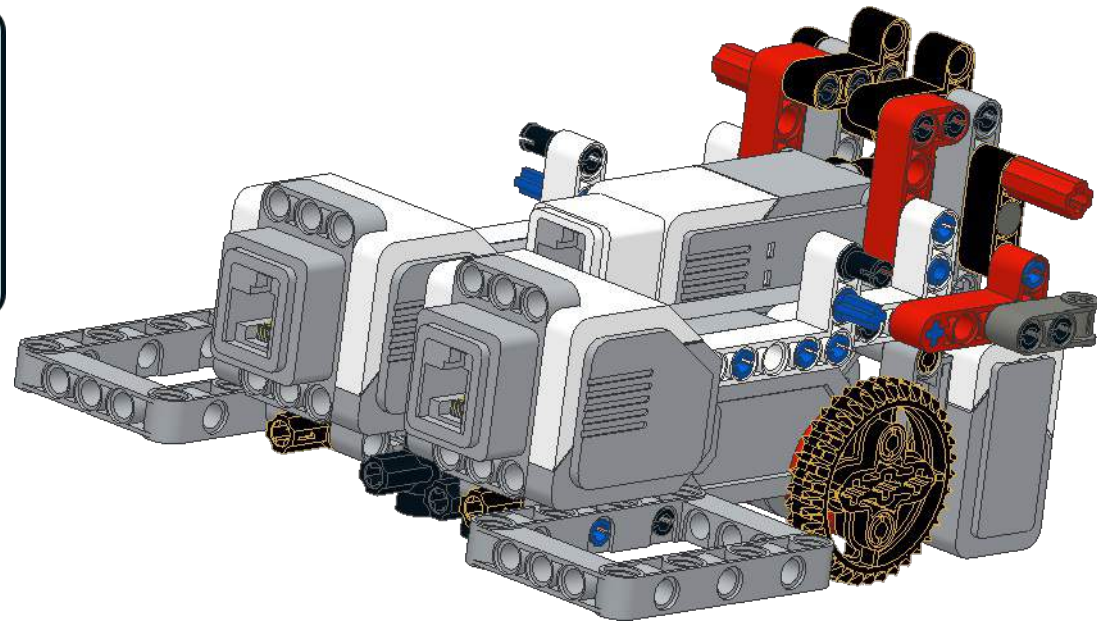
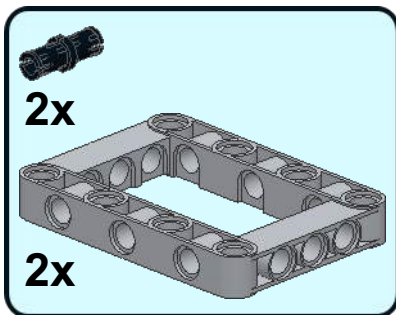
34



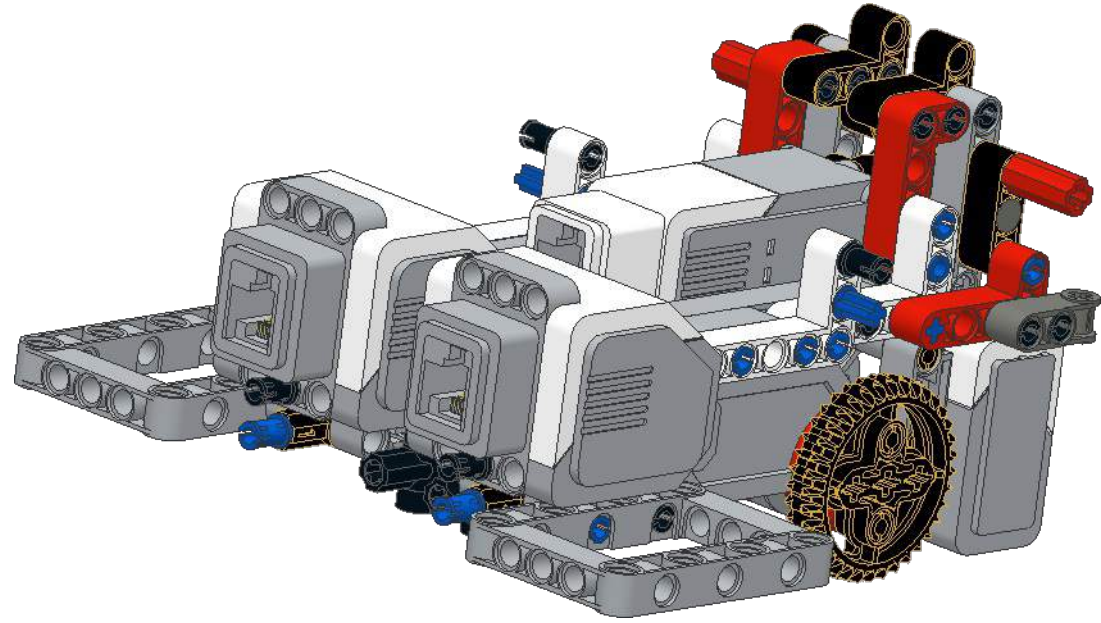
35



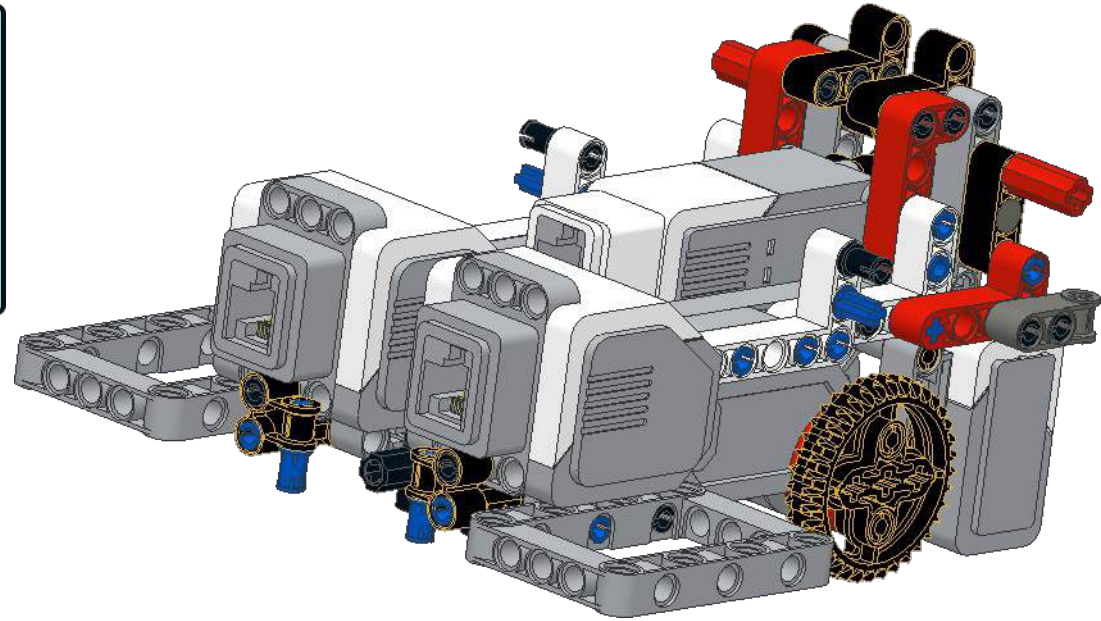
36



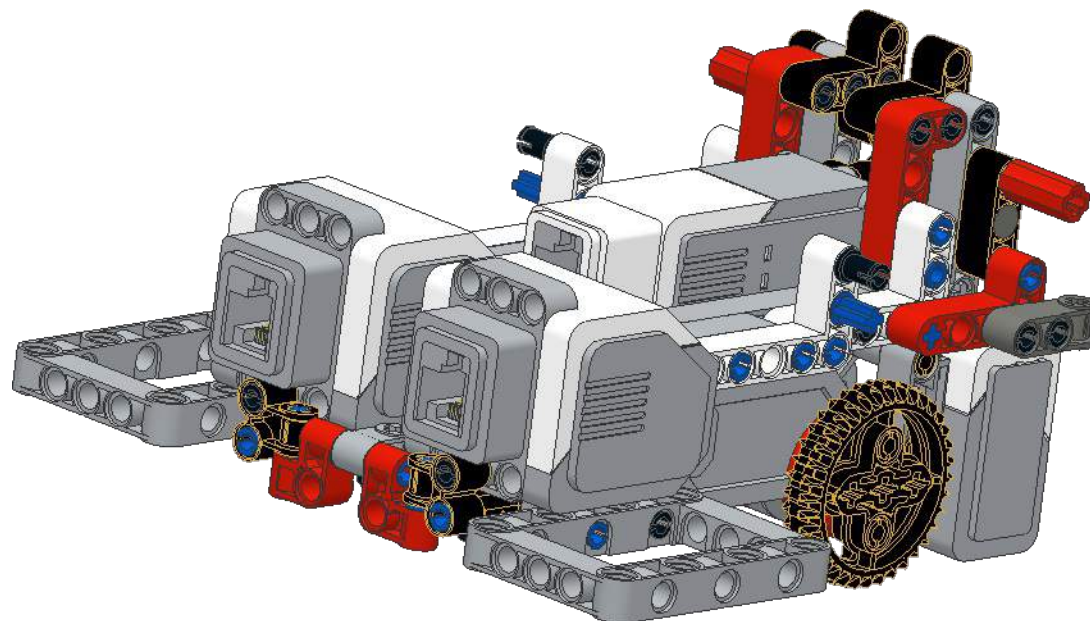
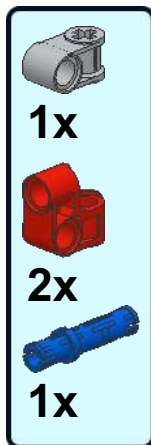
37



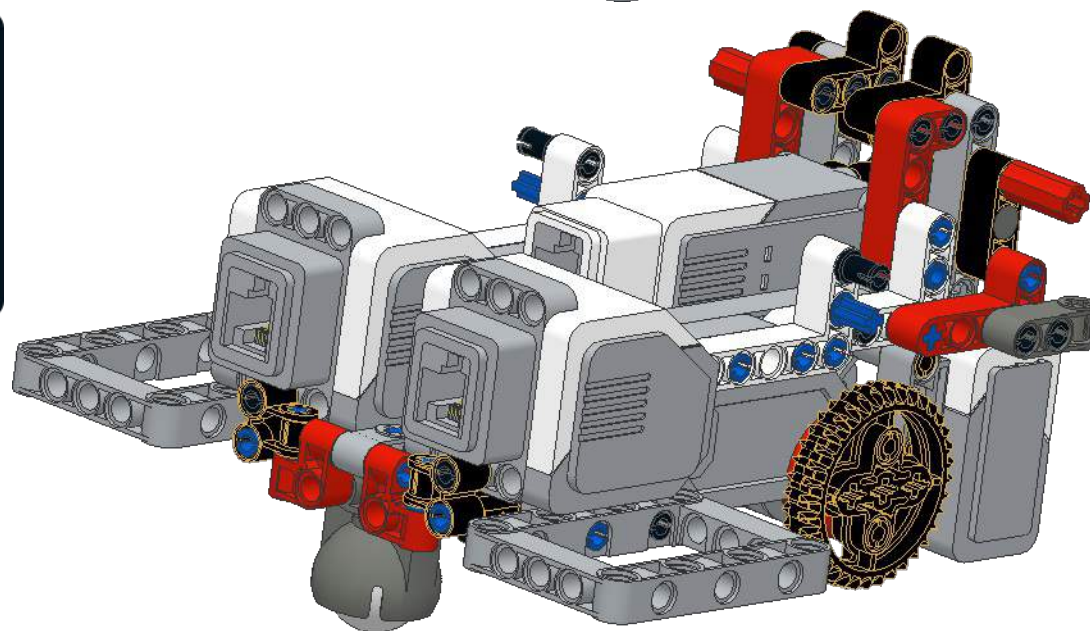
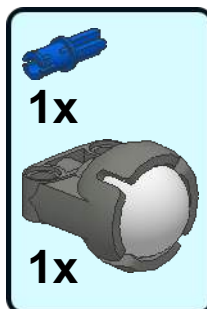
38




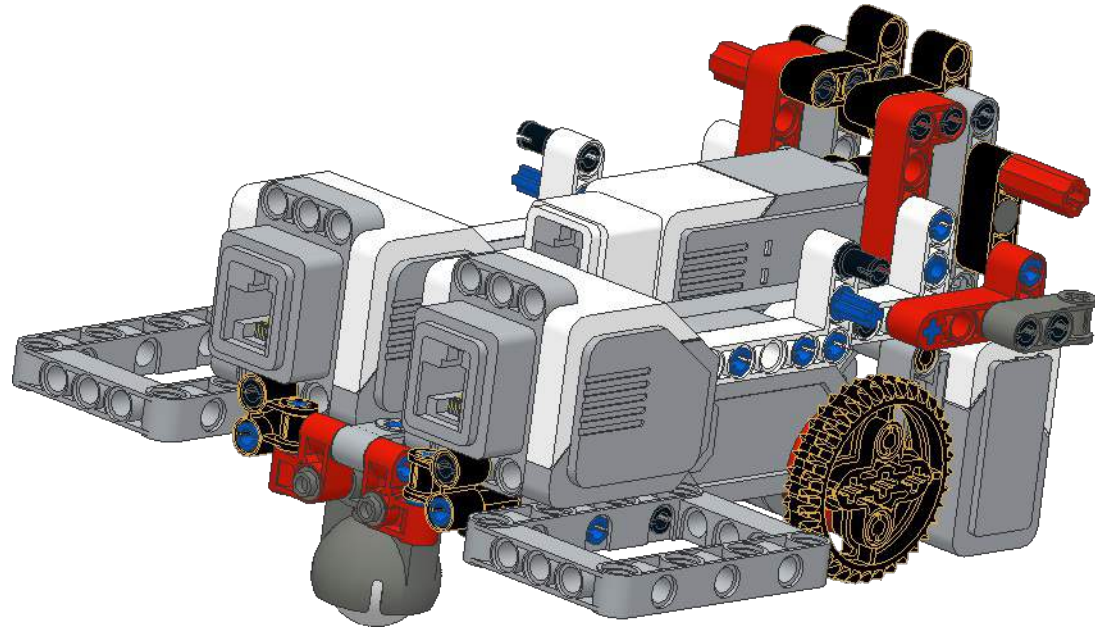
39

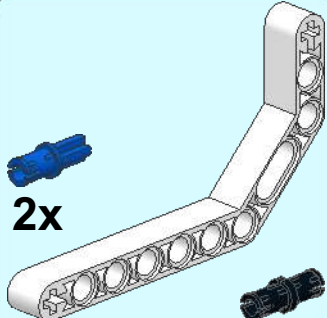




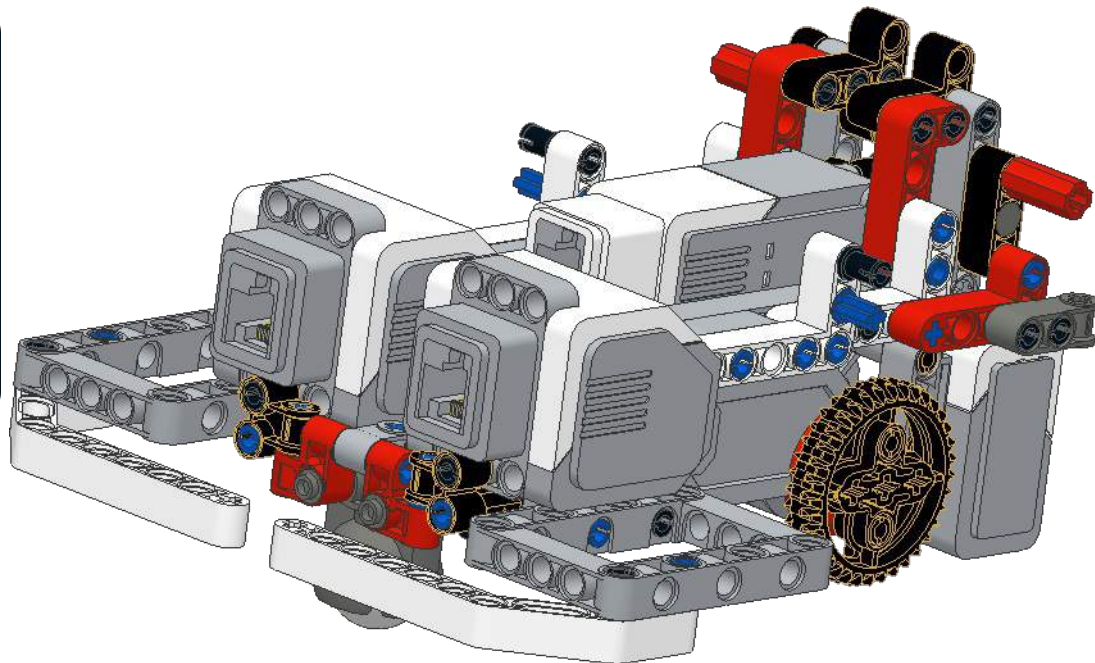
40



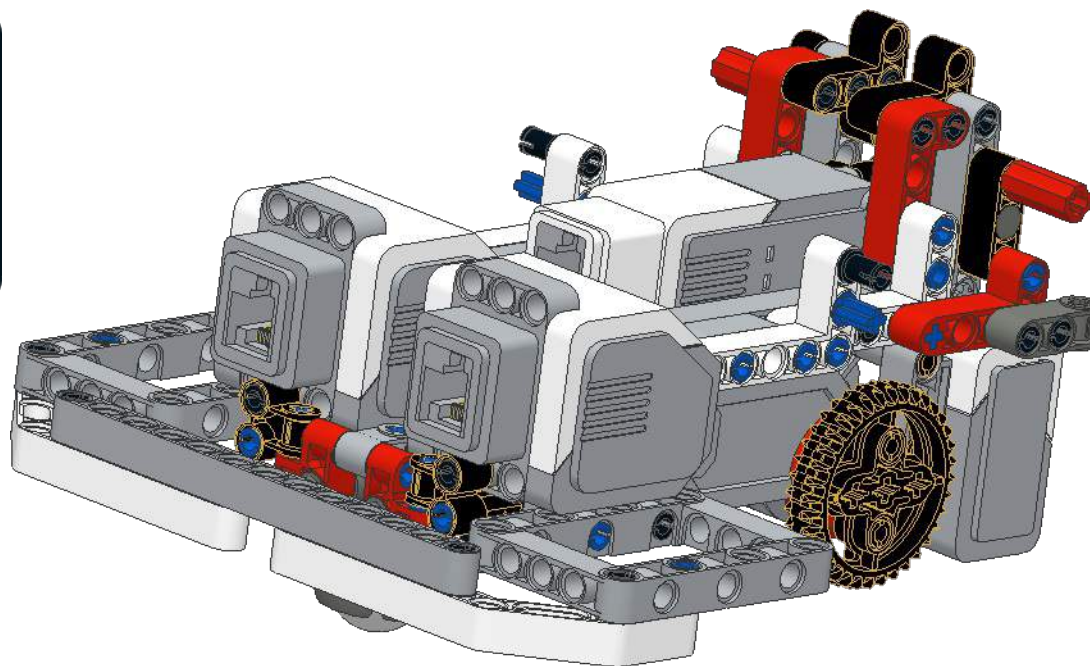
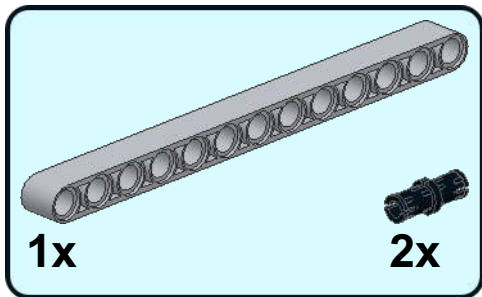
41  2x



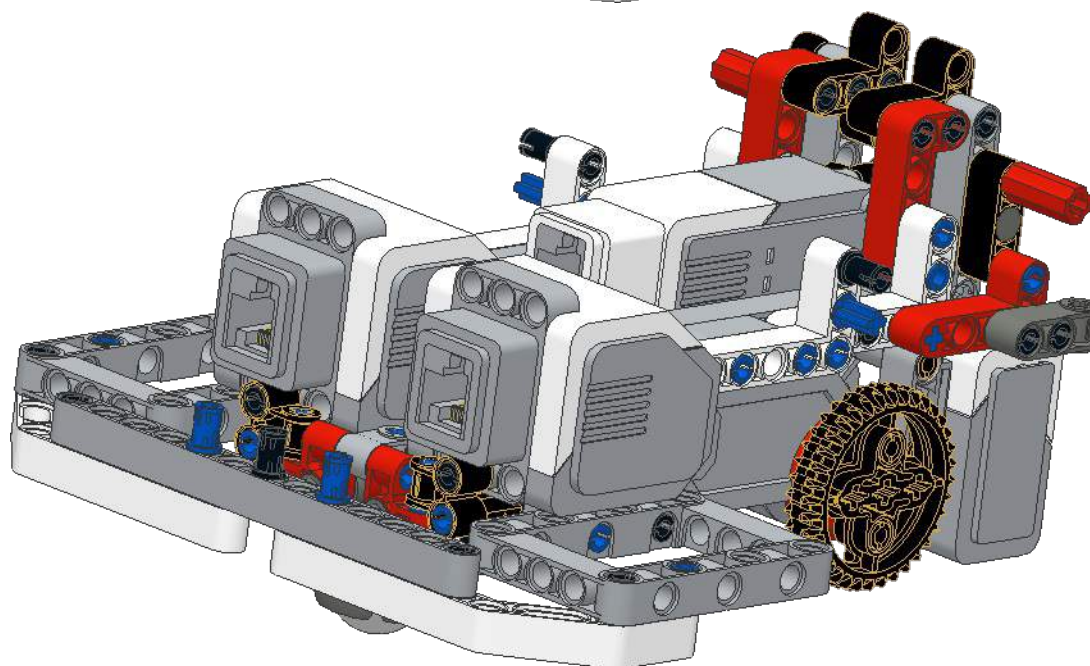
42  2x
 2x
 2x



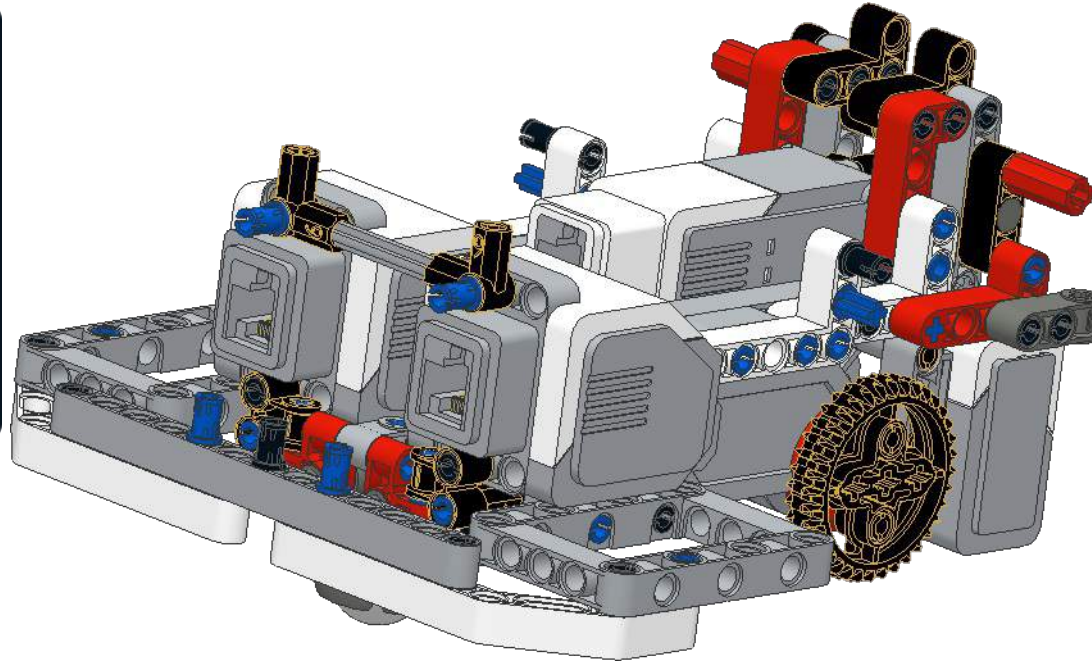
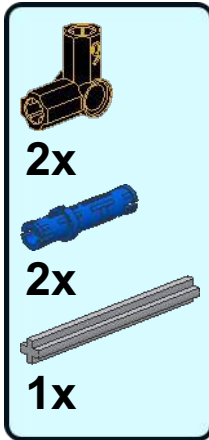
43



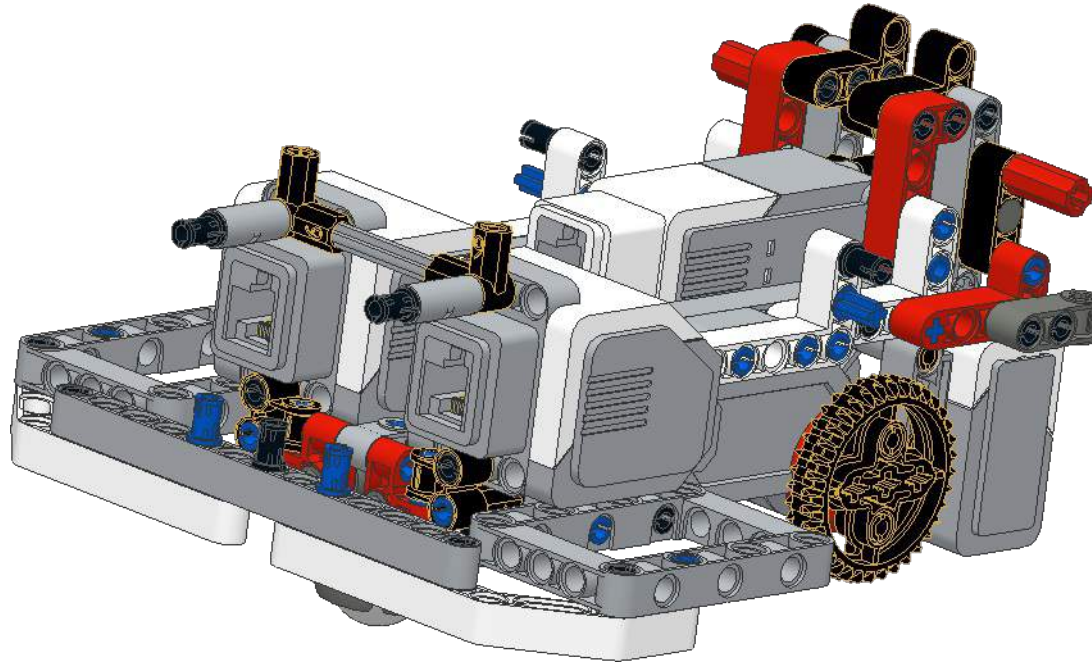
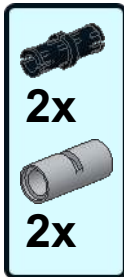
44



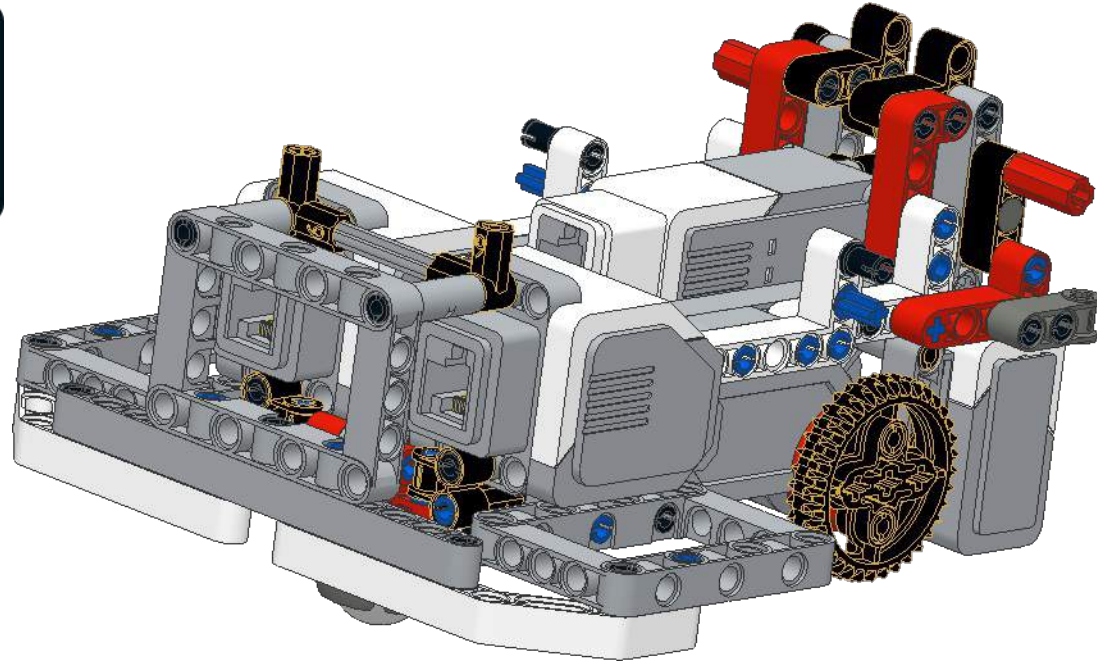
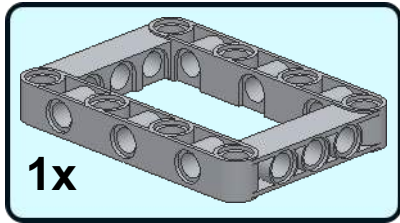
45



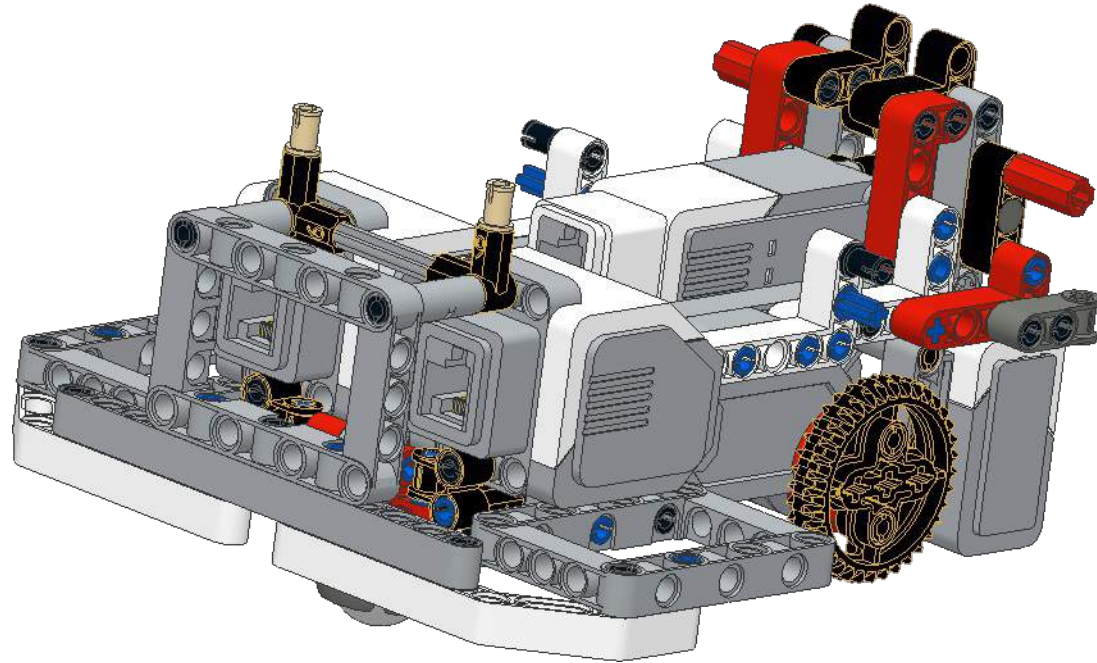
46



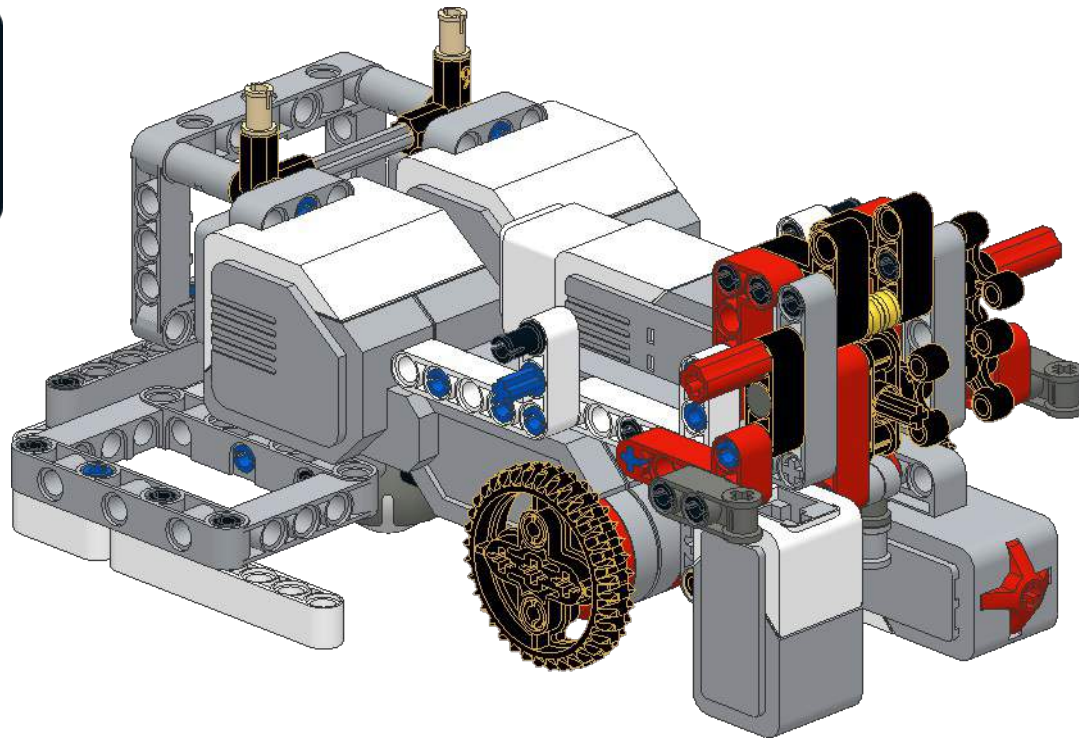
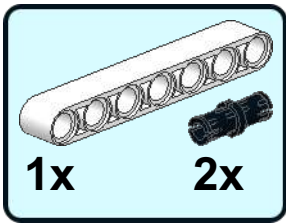
47



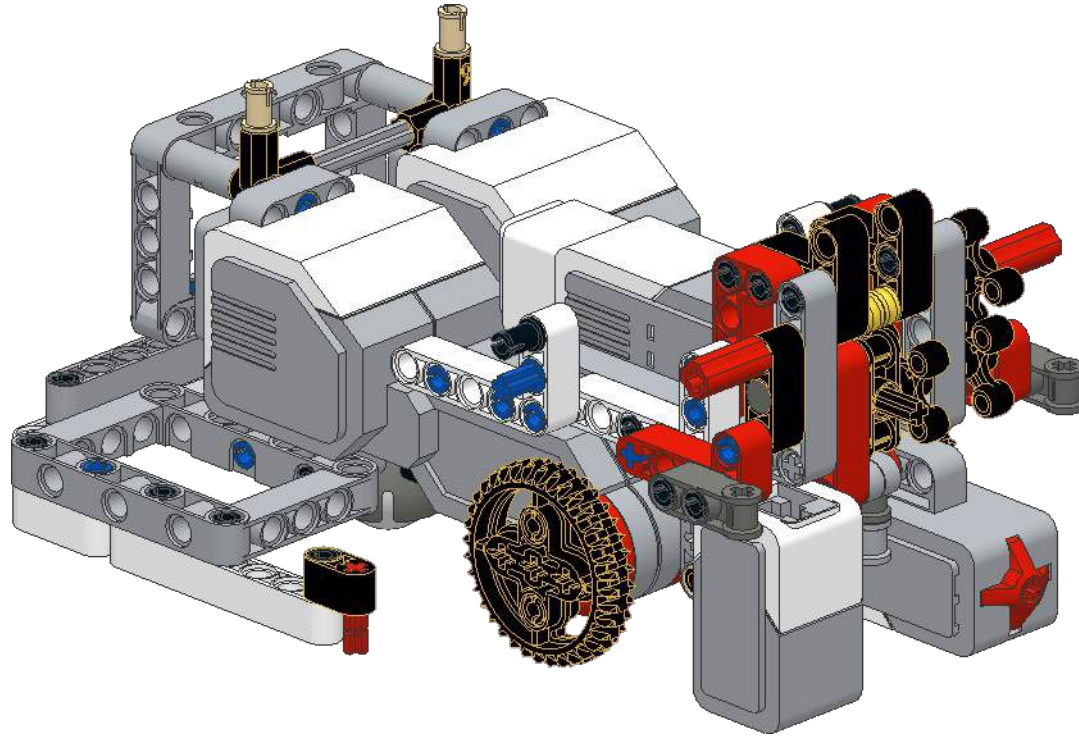
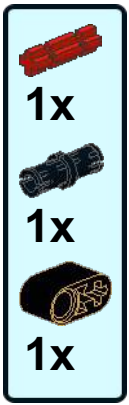
48



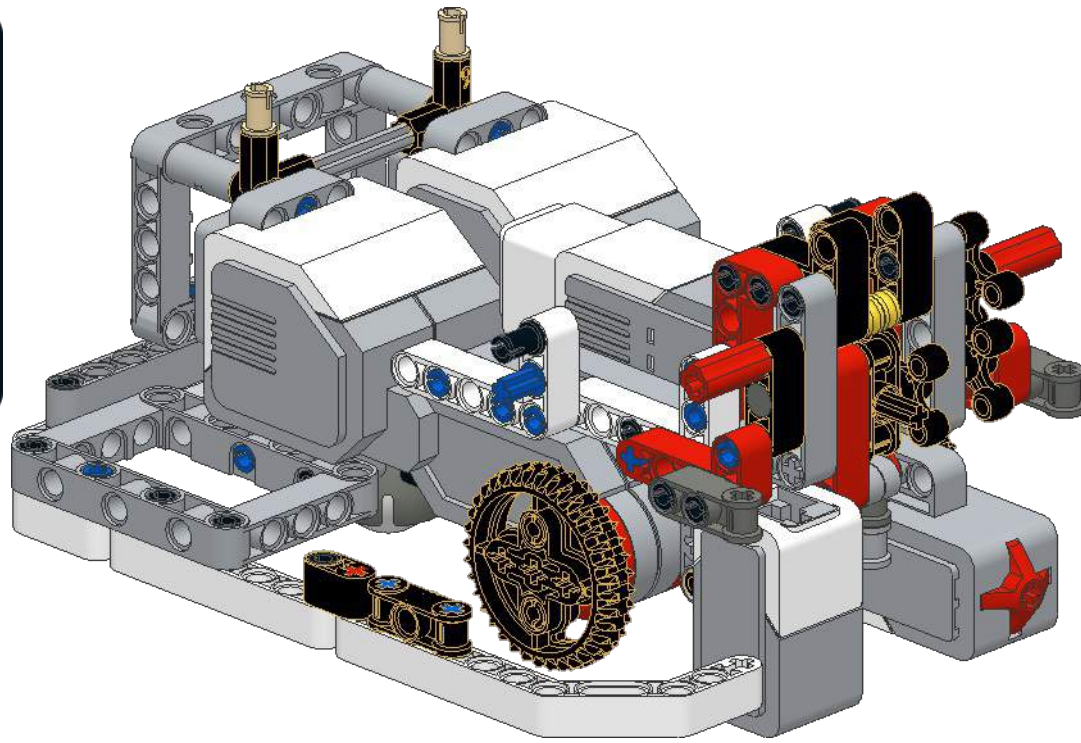
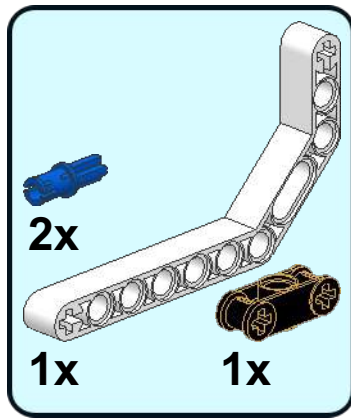
49



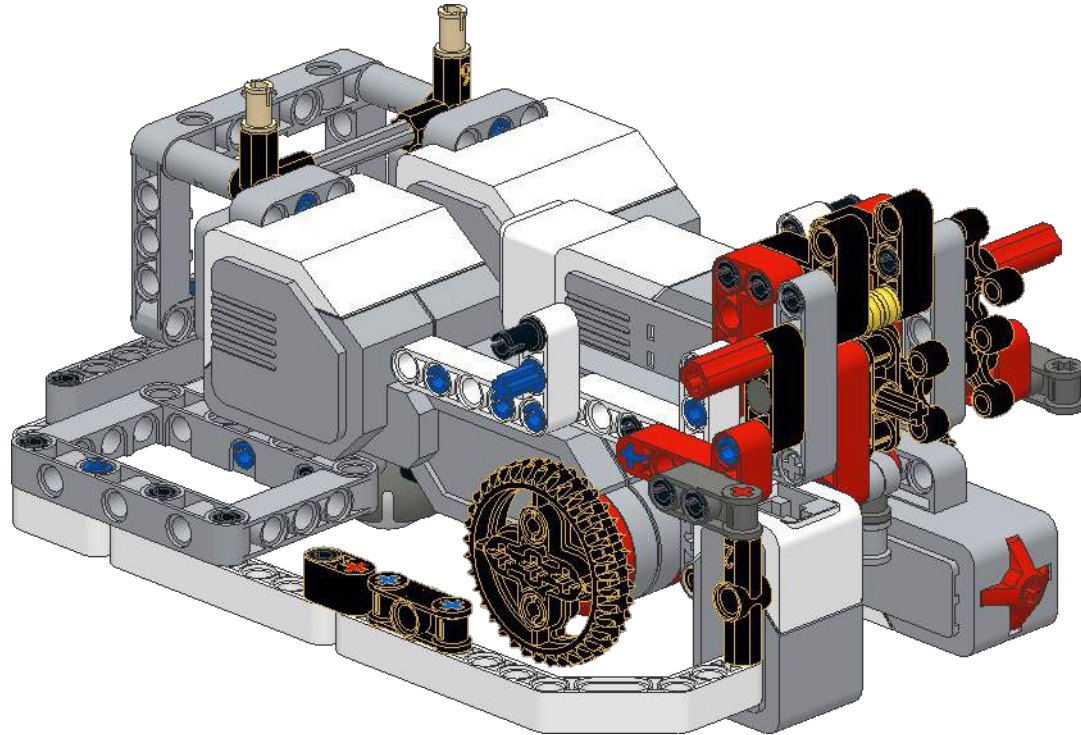
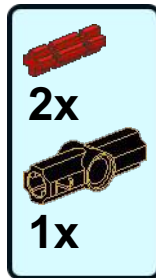
50



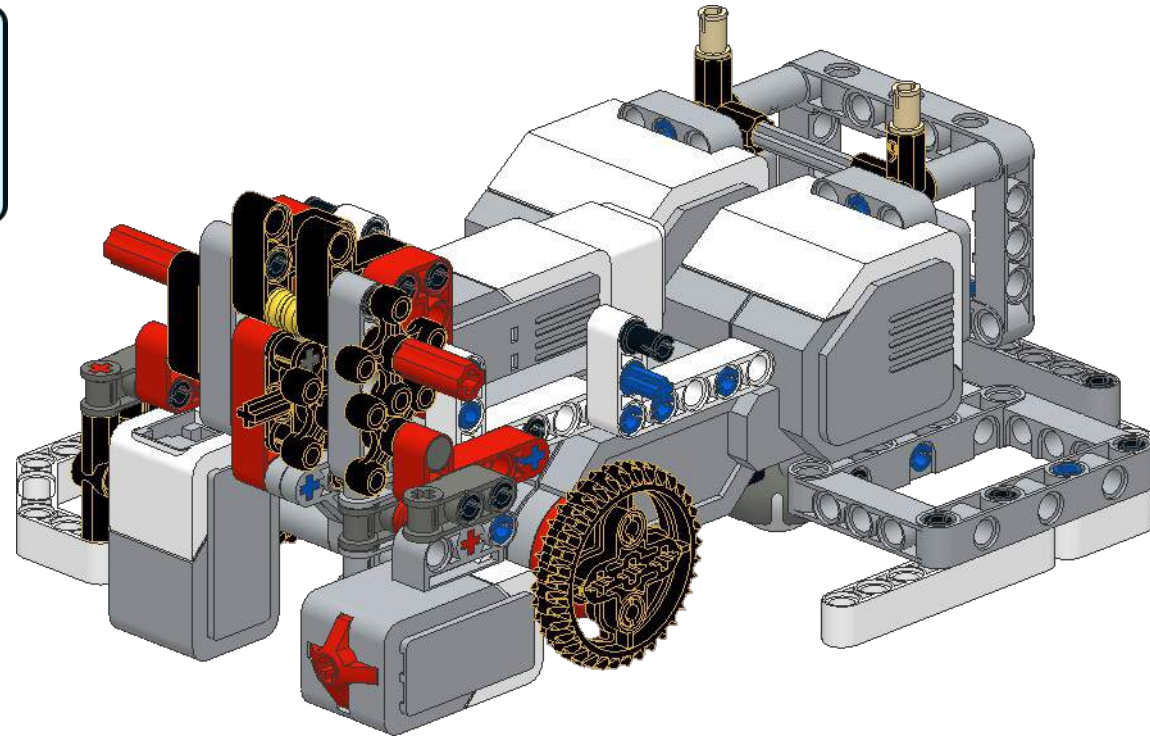
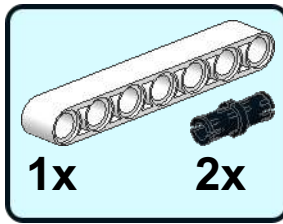
51



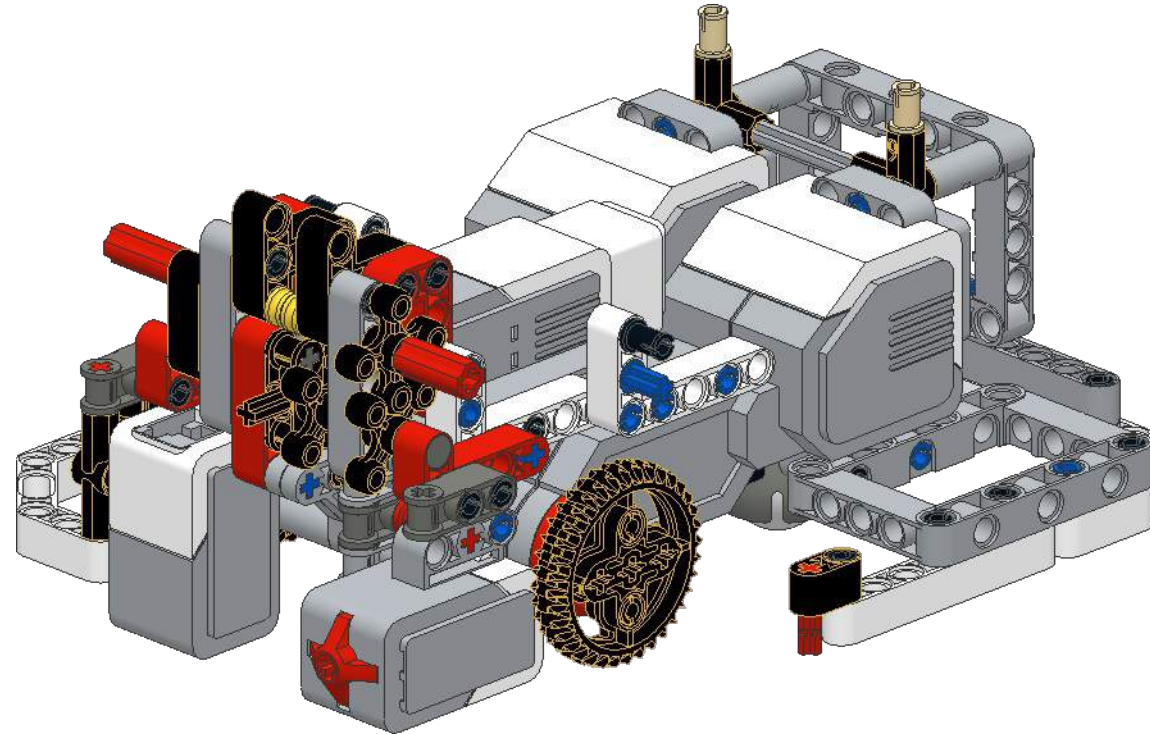
52



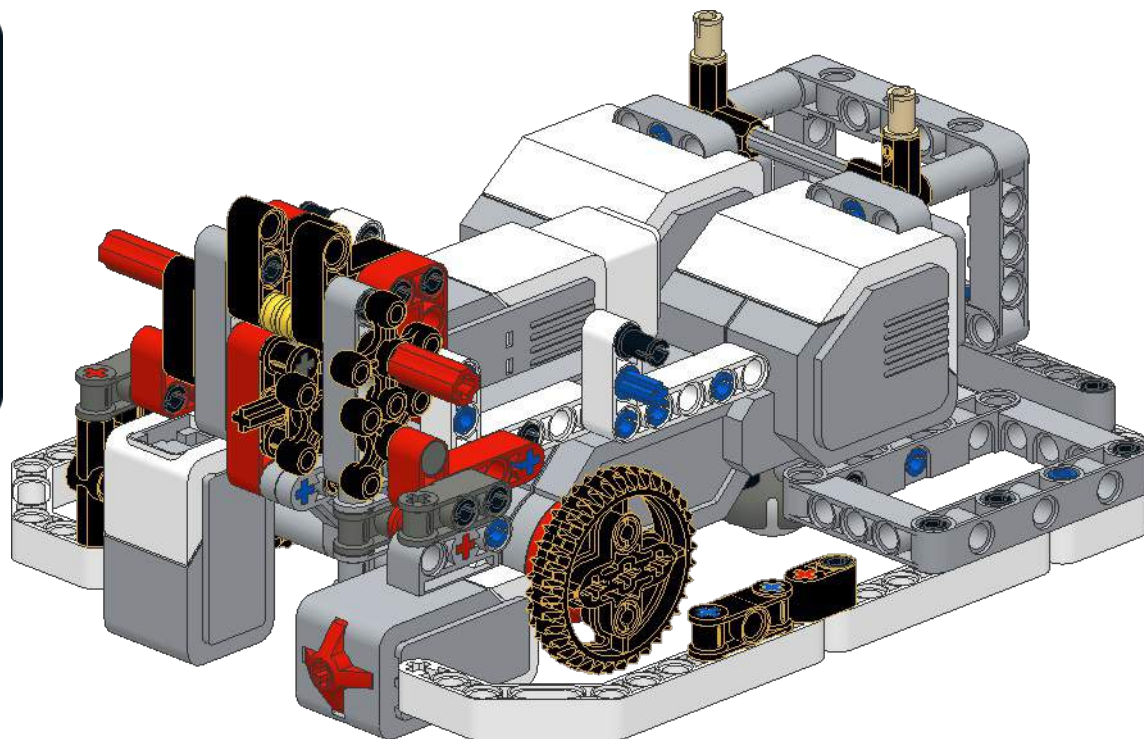
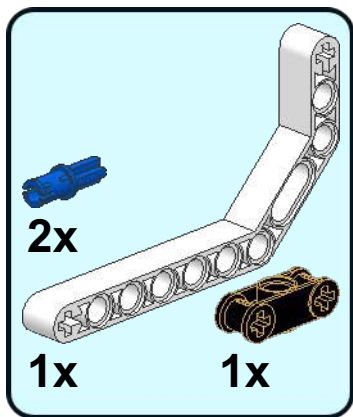
53



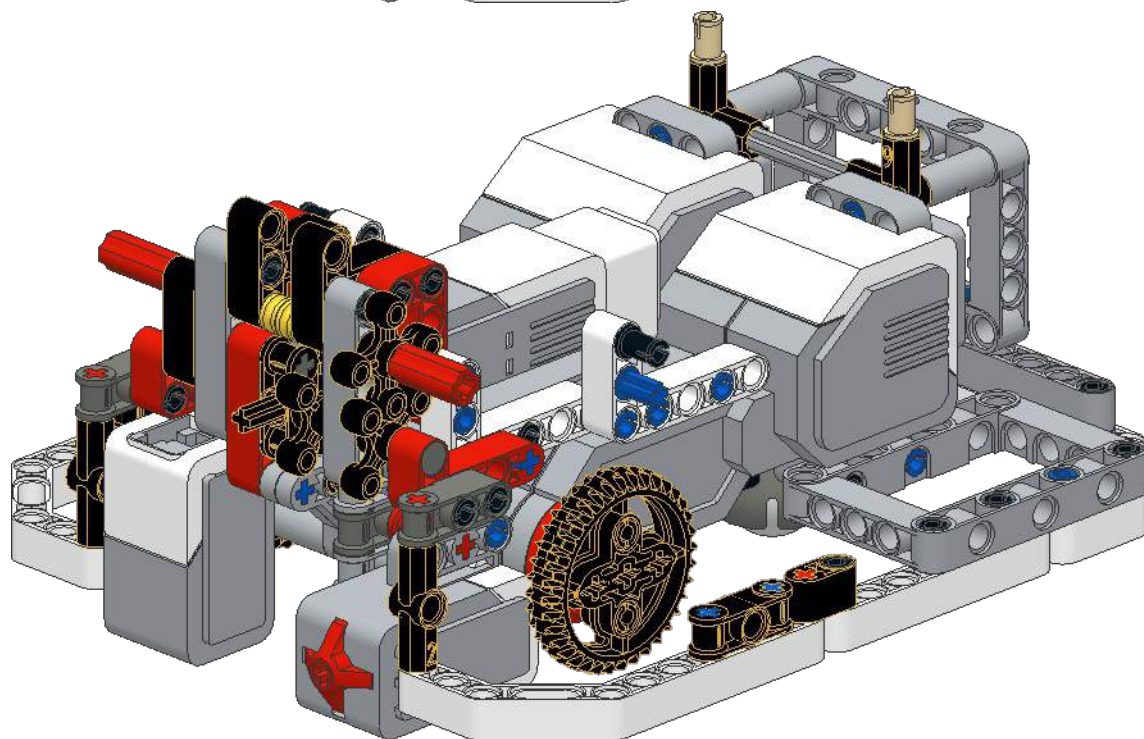
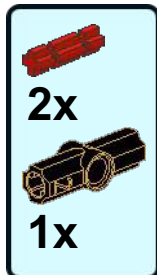
54



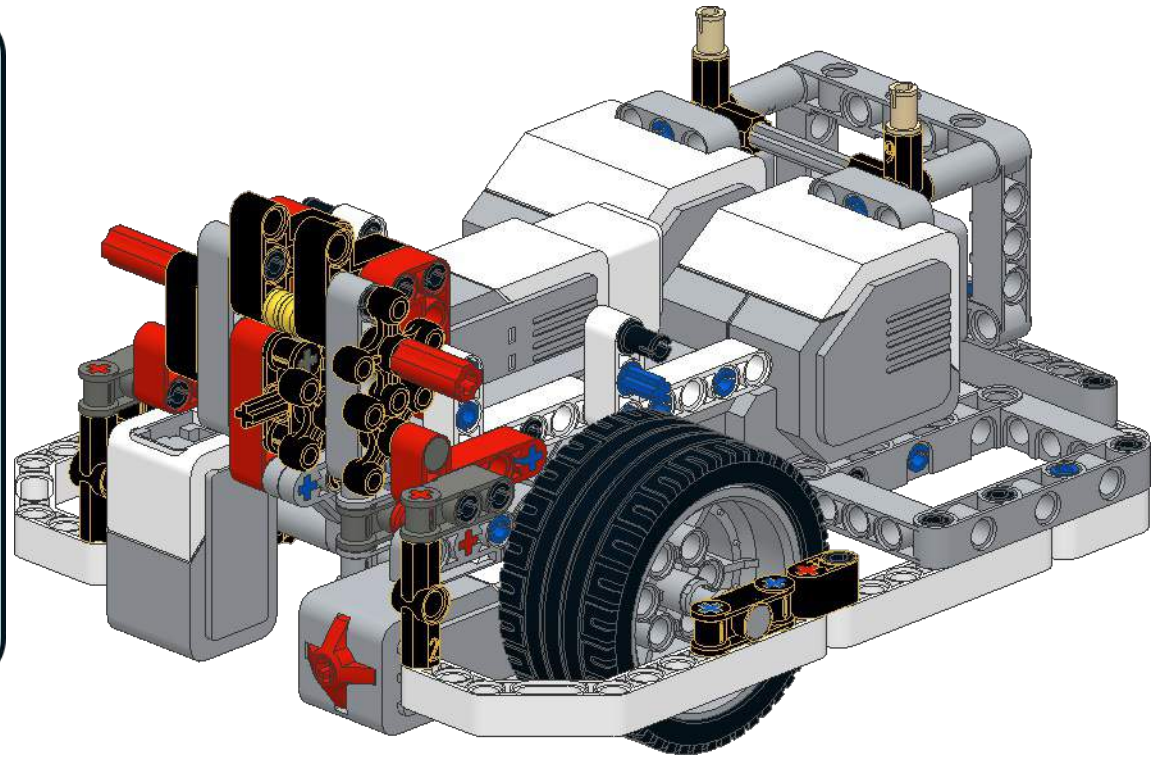
55



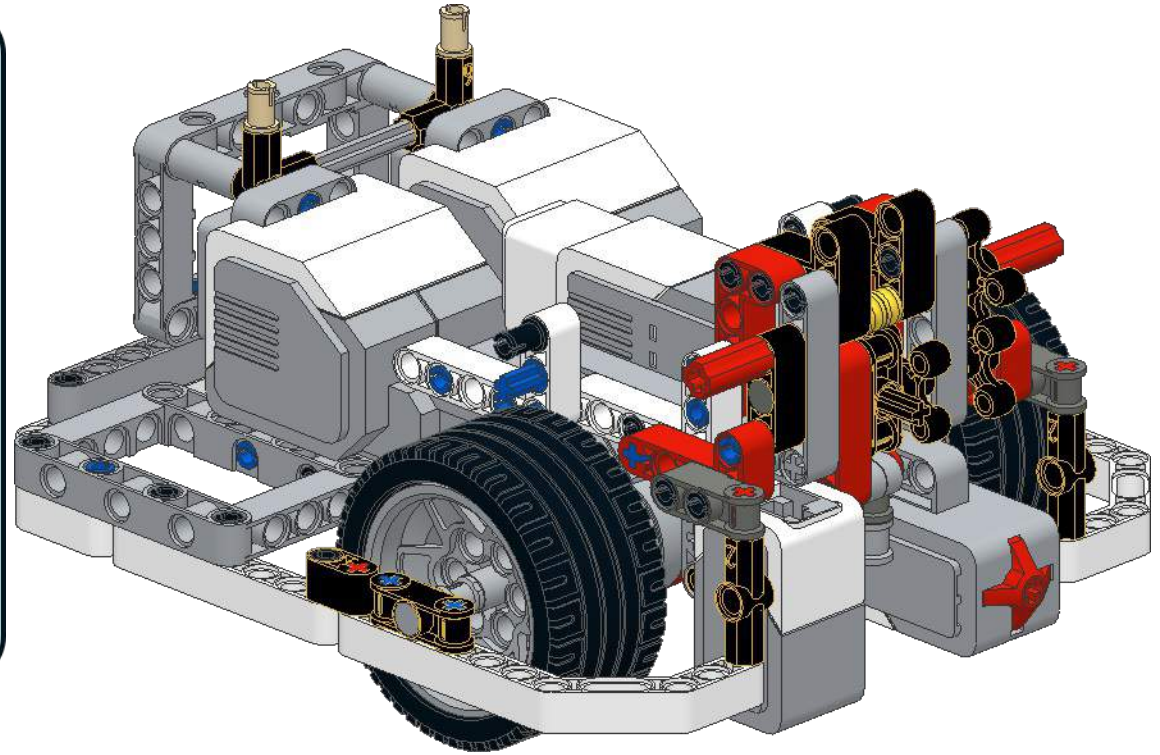
56



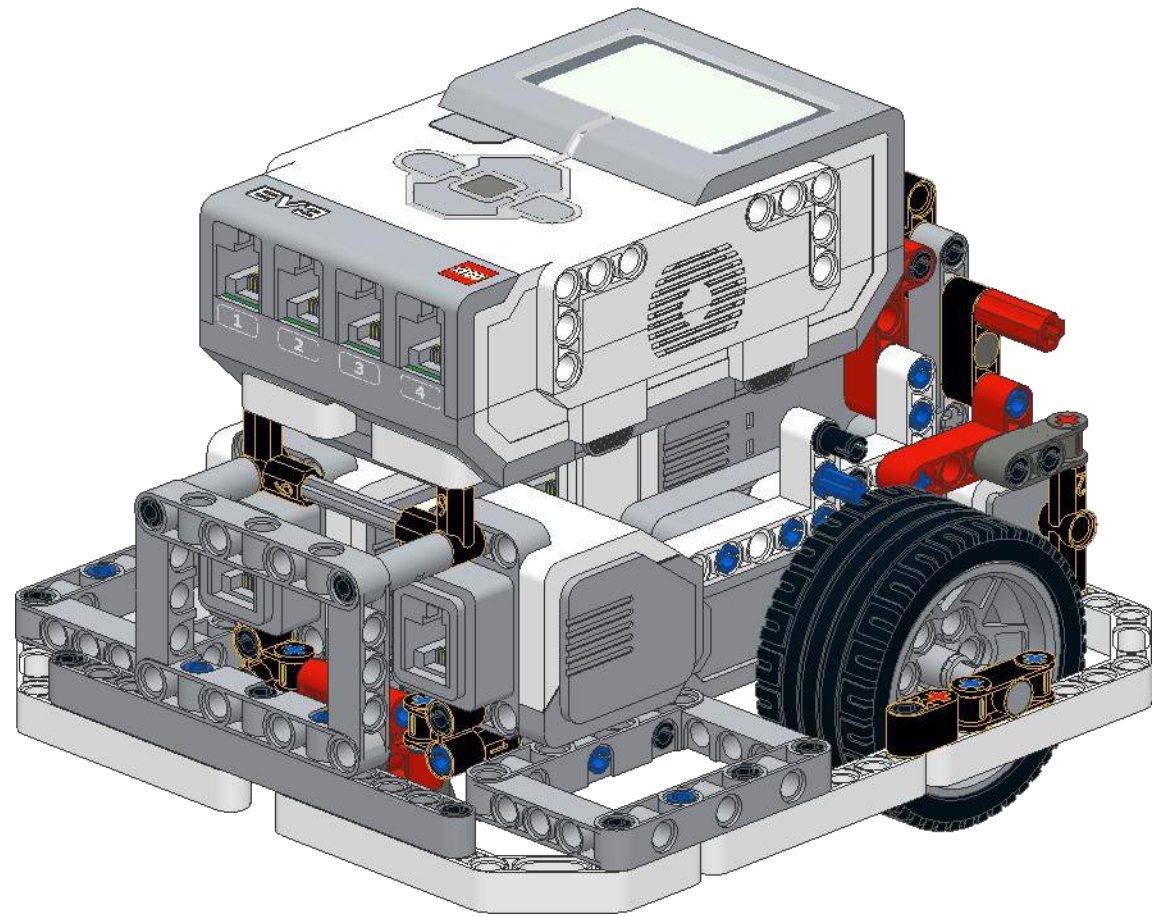
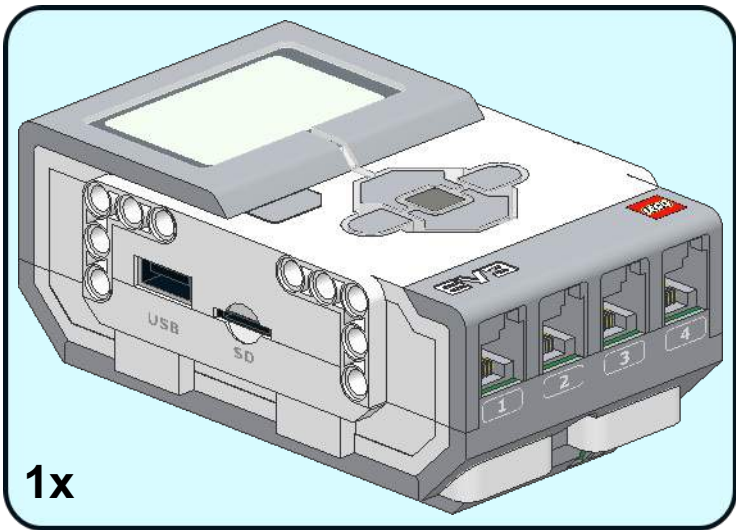
57



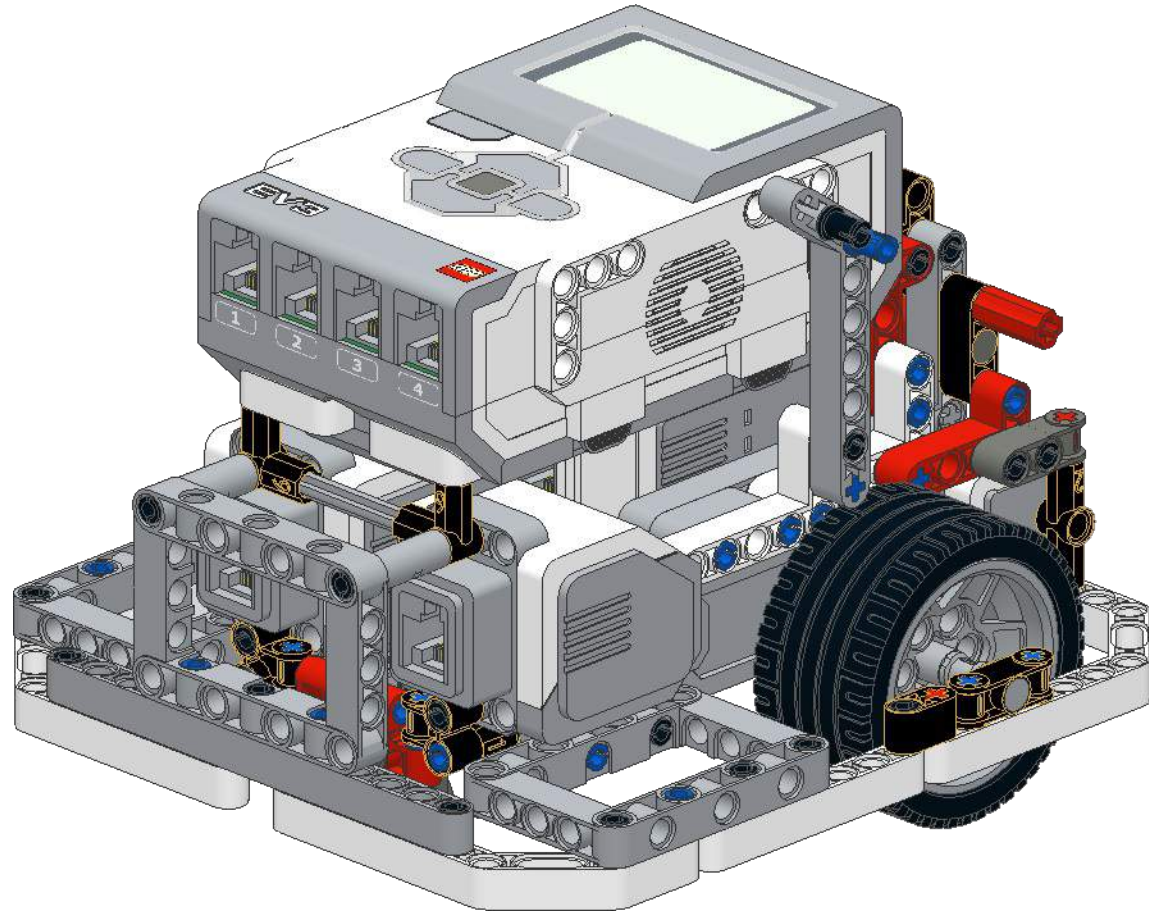
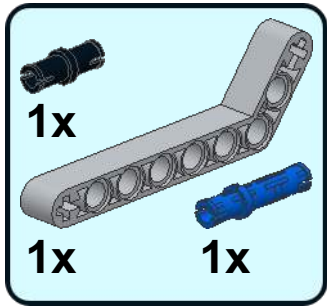
58



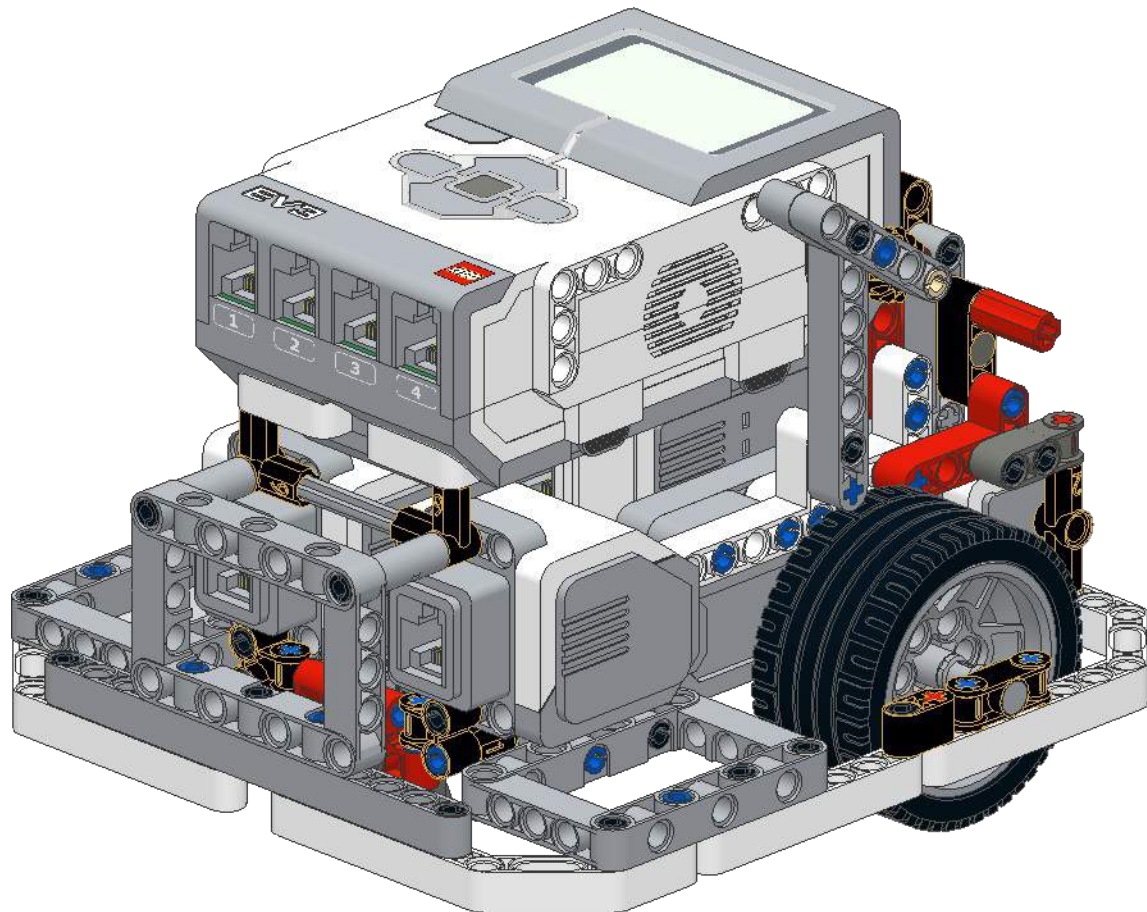
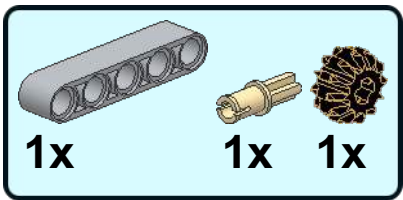
59



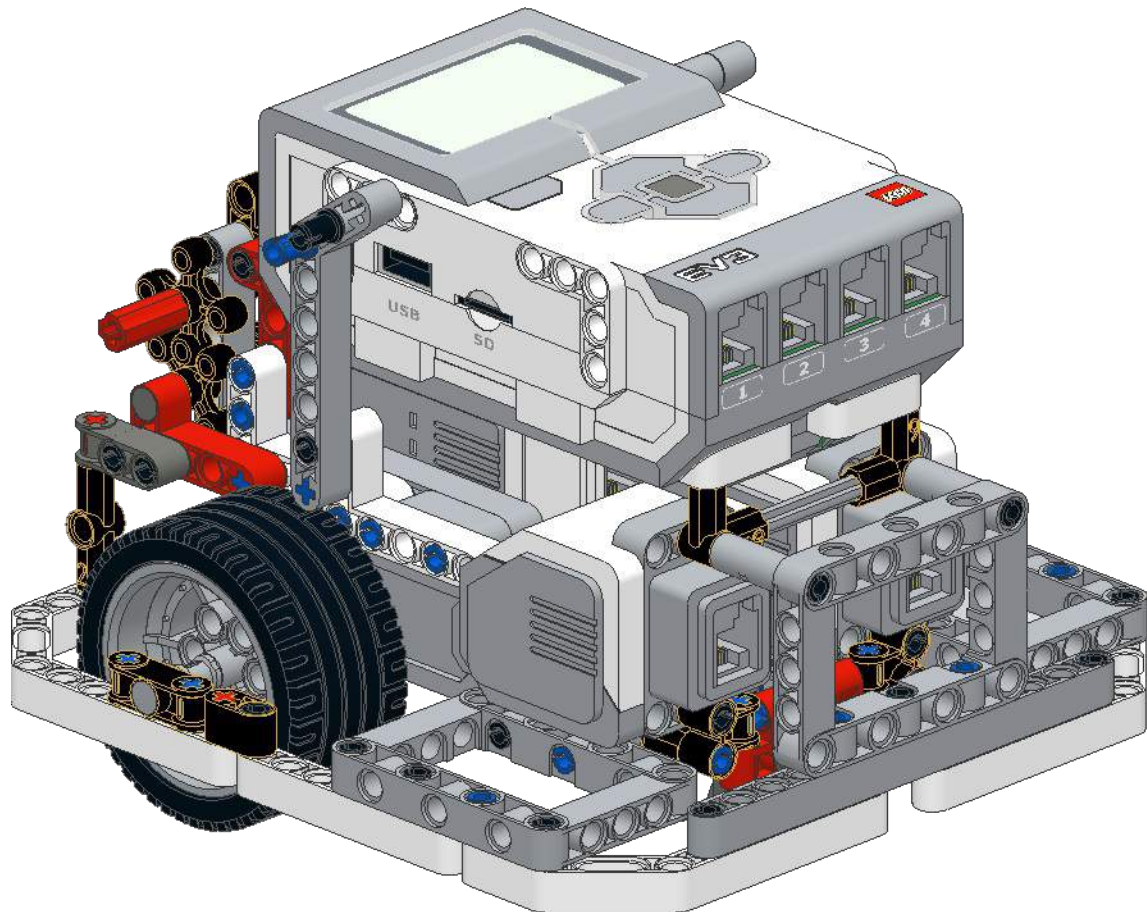
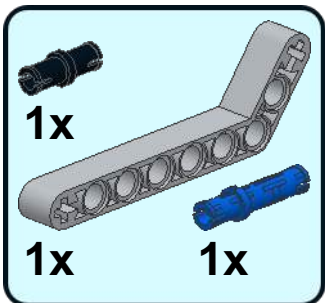
60



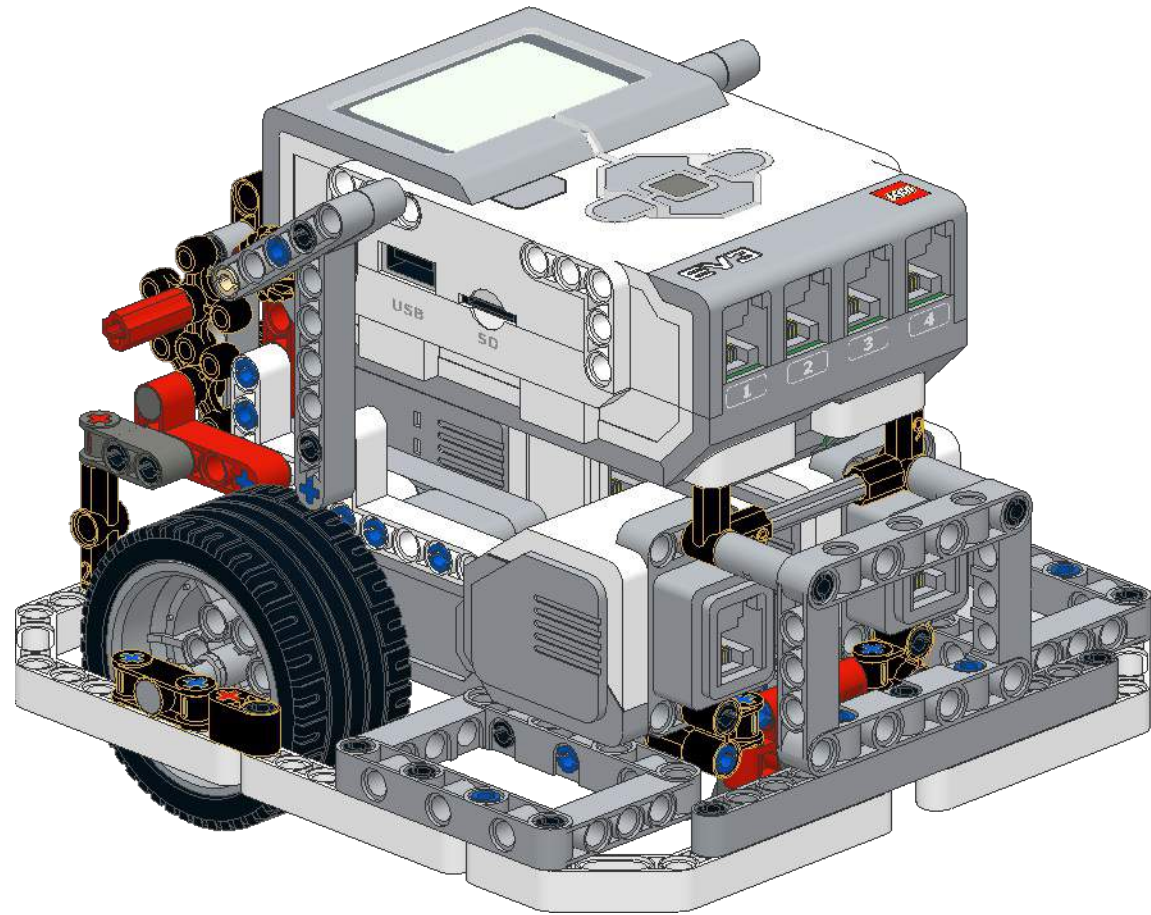
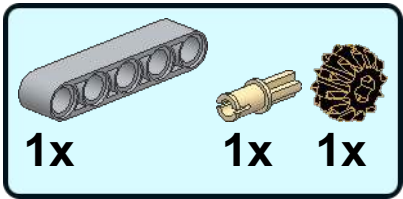
61



62

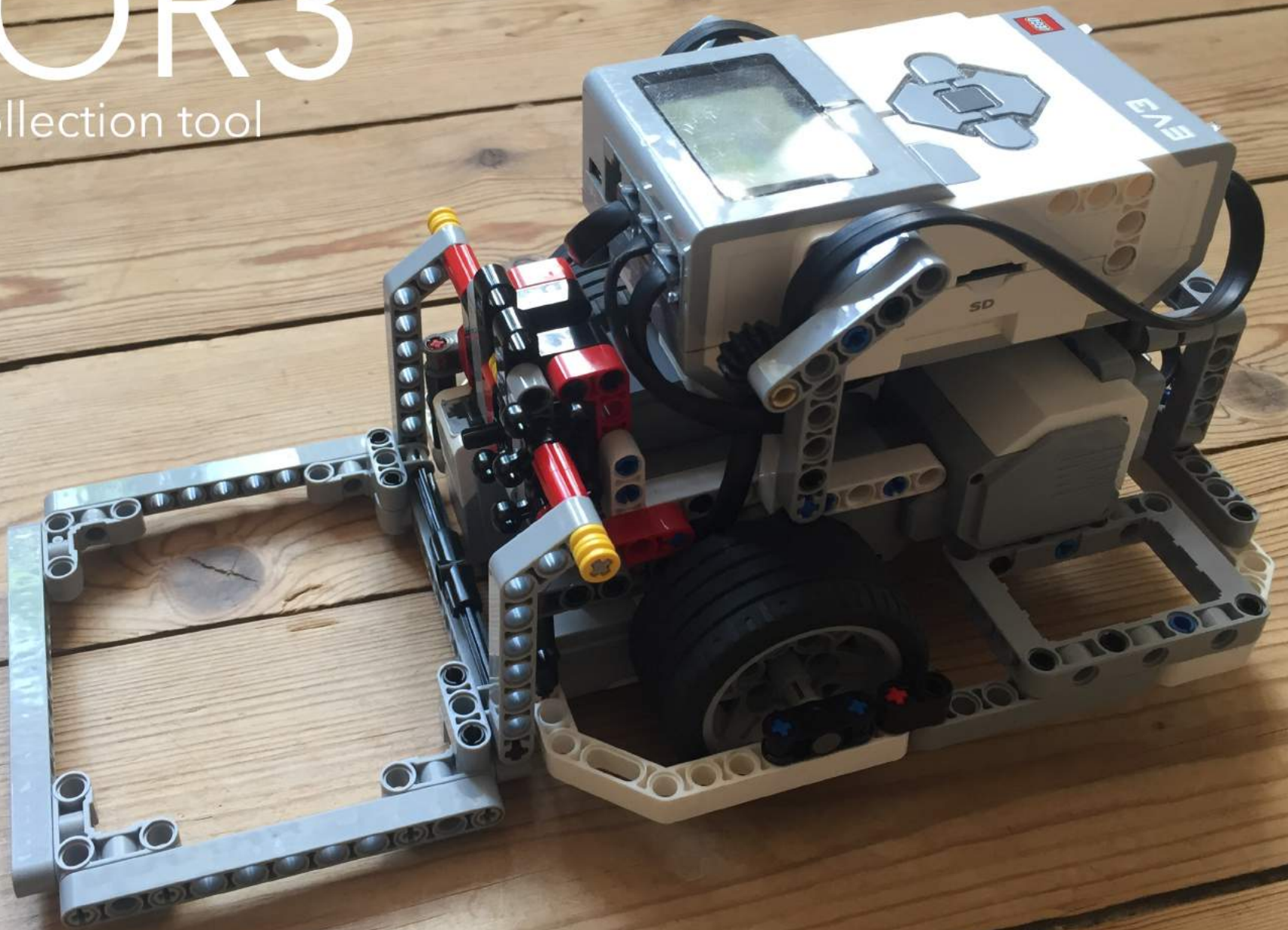


63

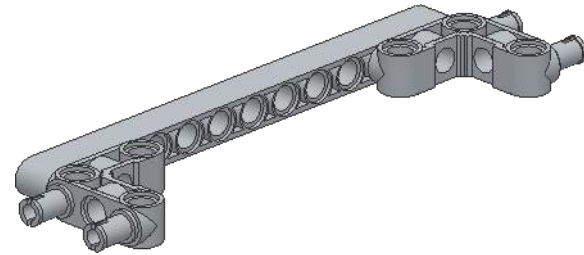
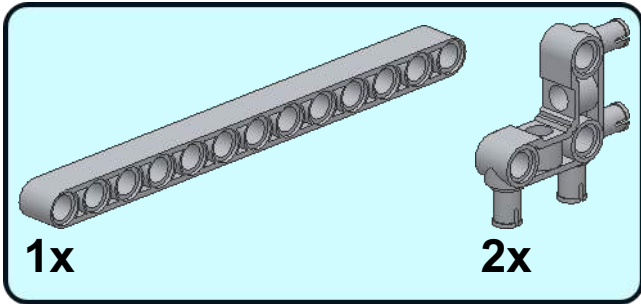


COR3

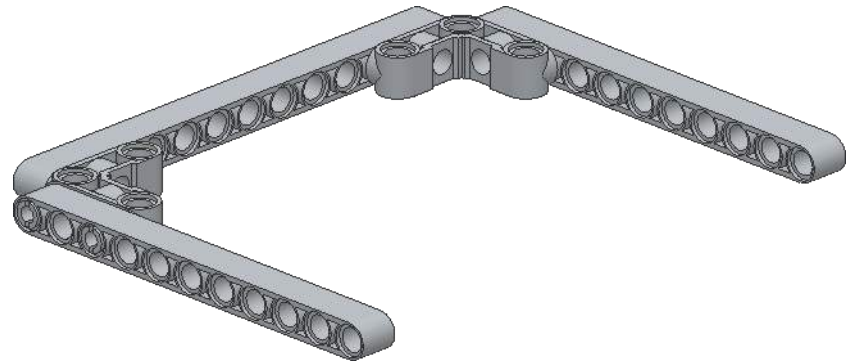
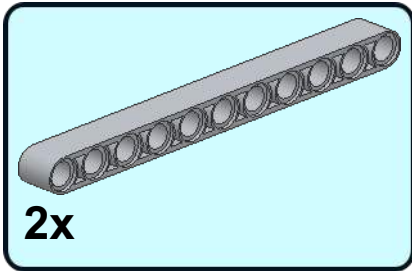
Collection tool

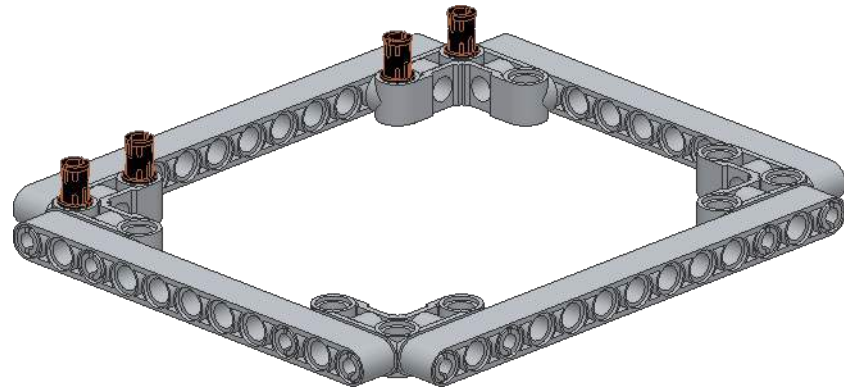
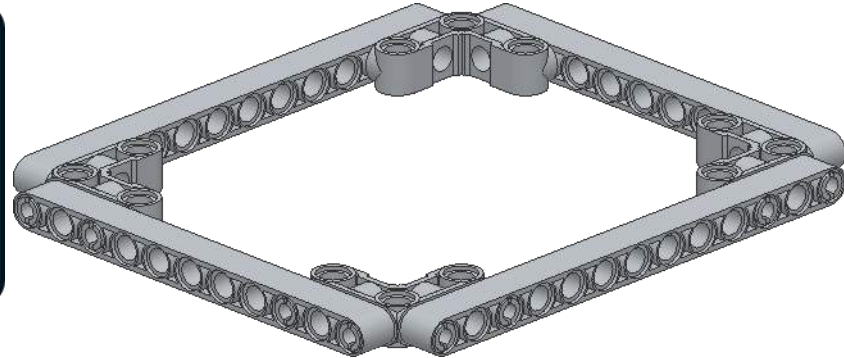
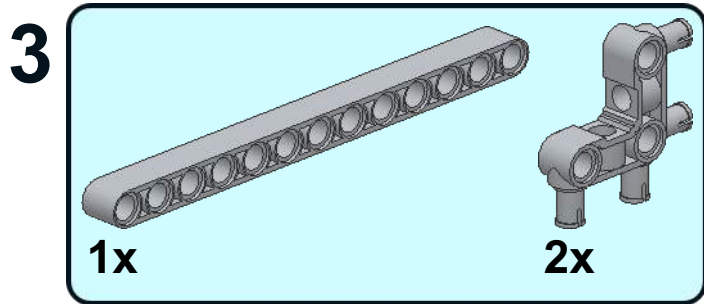


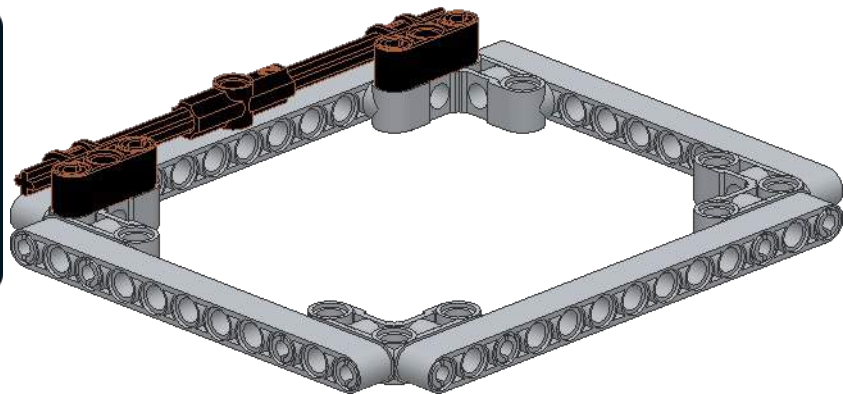
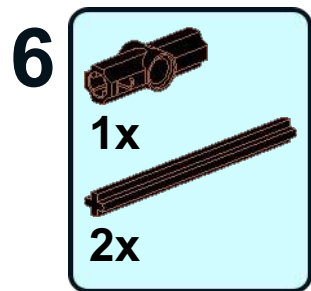
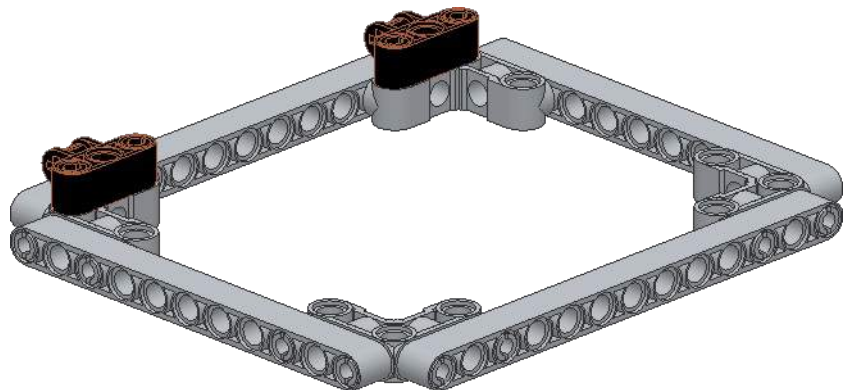
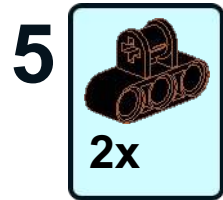
1

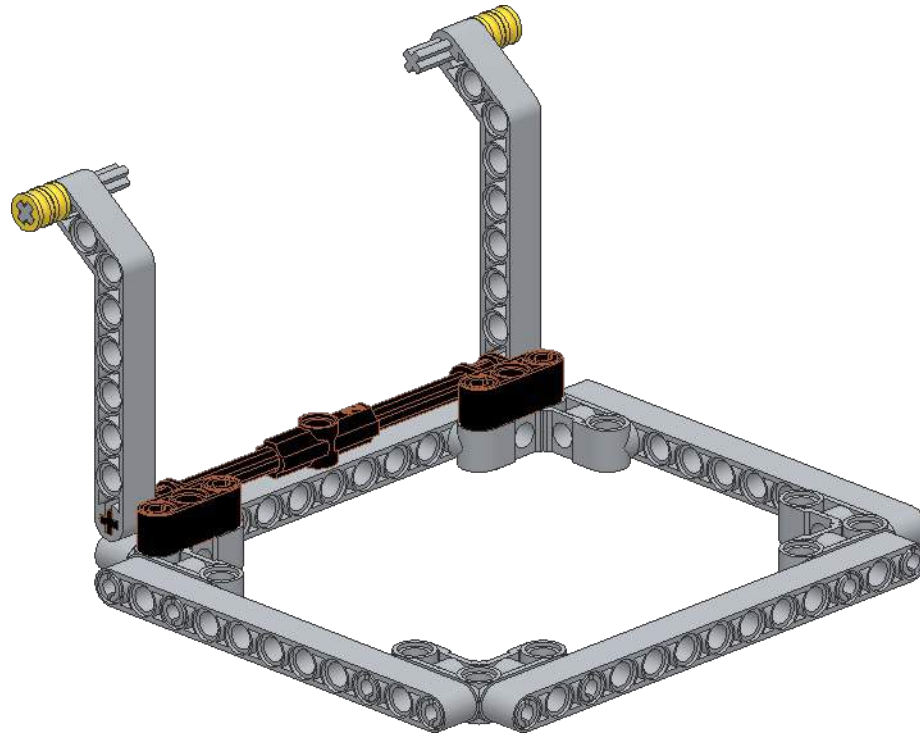
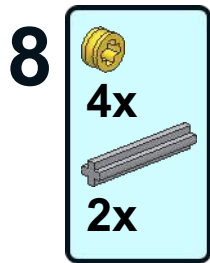
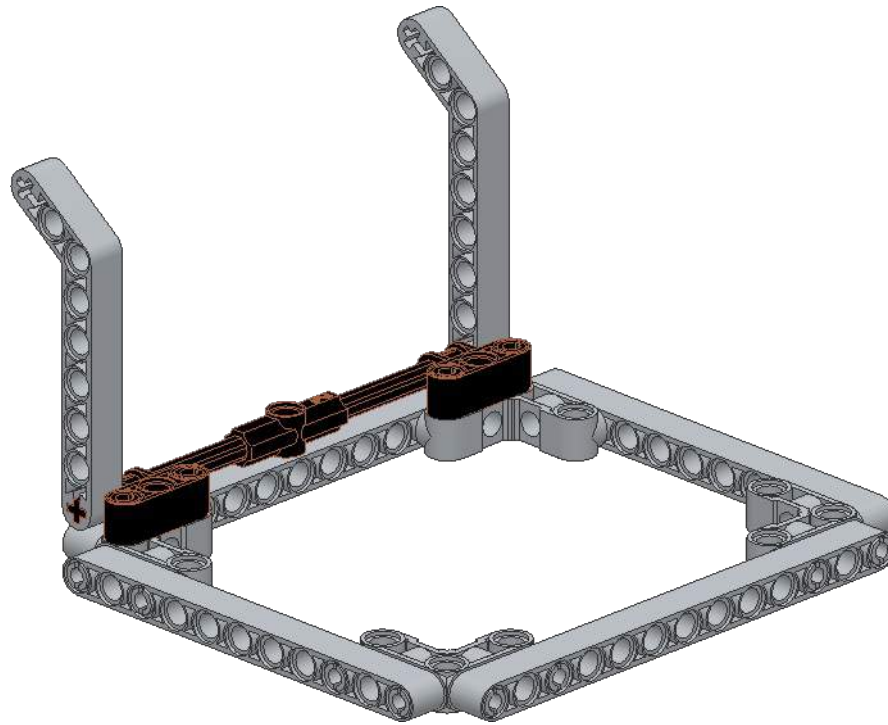
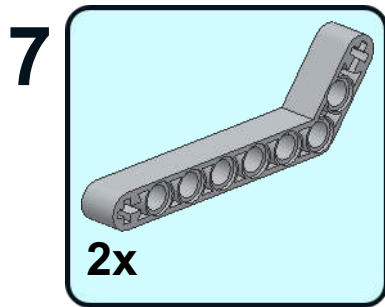


2



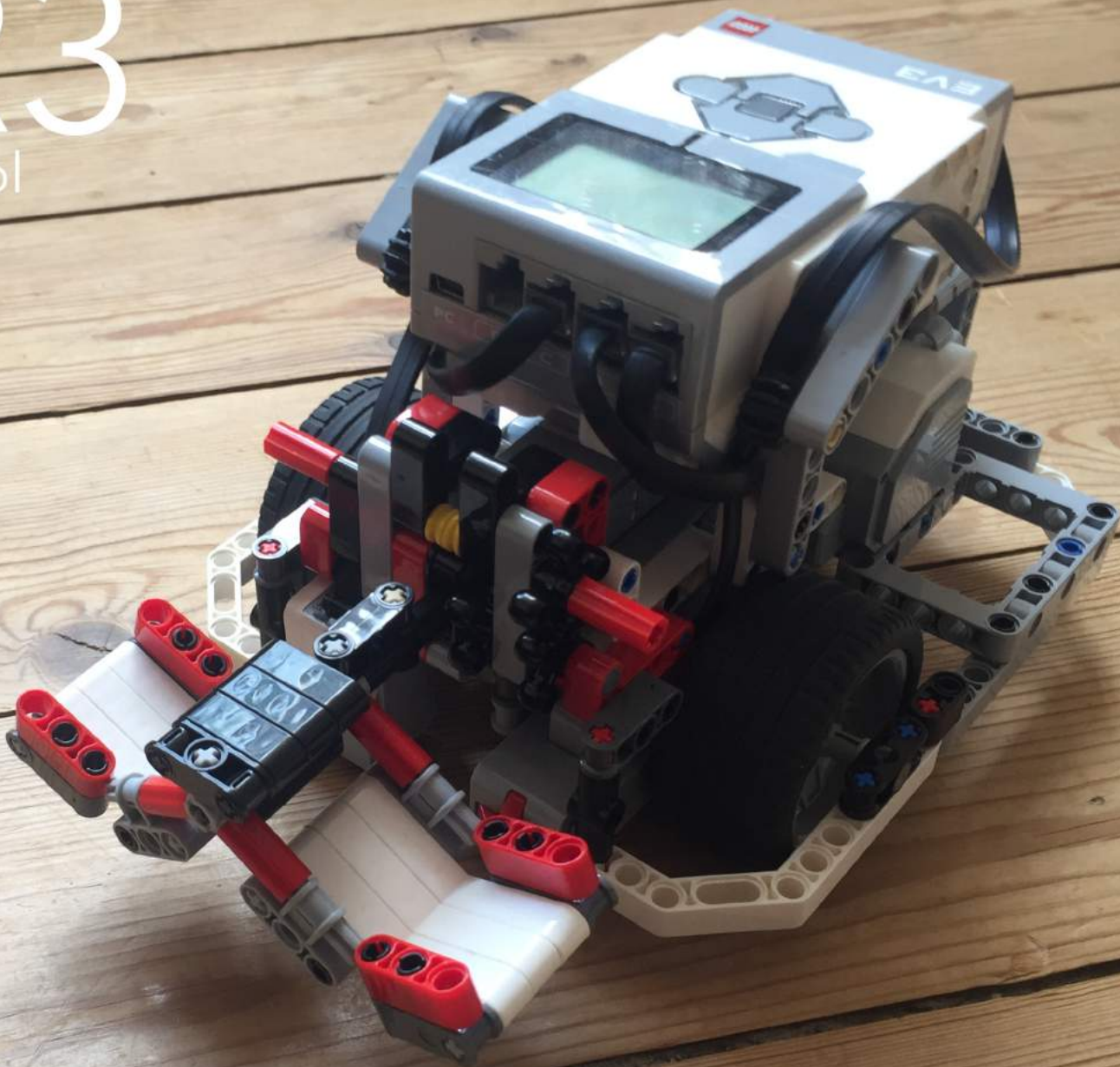


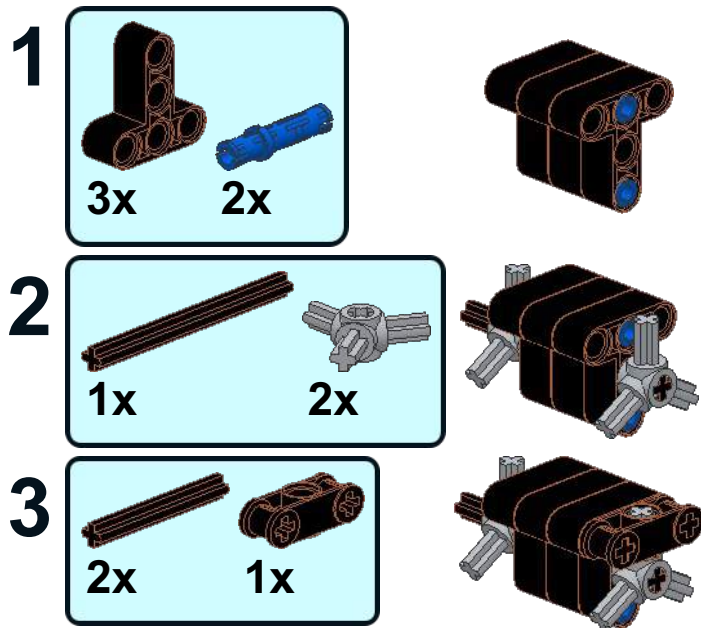


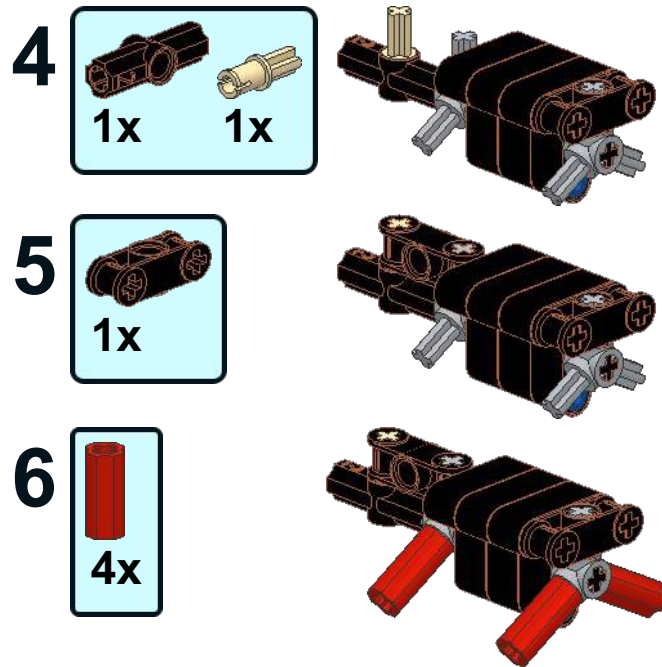


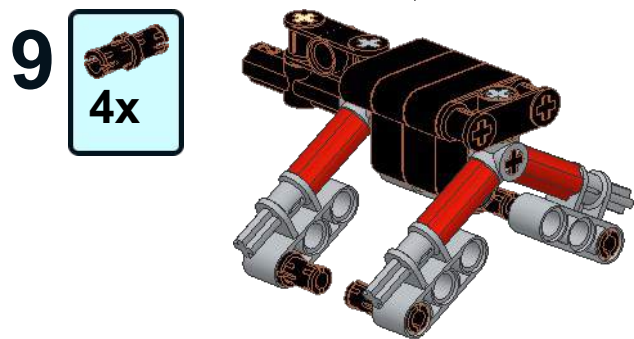
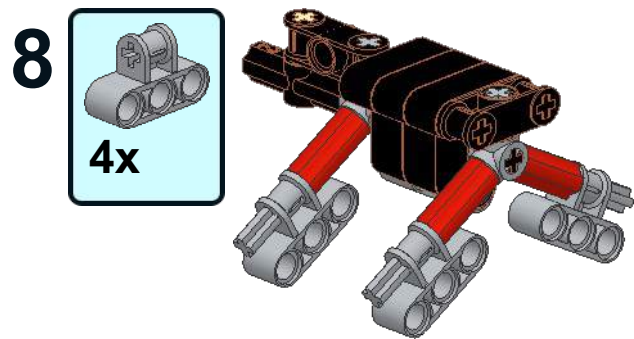
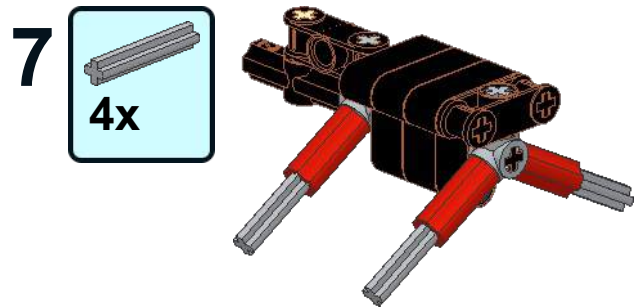
COR3

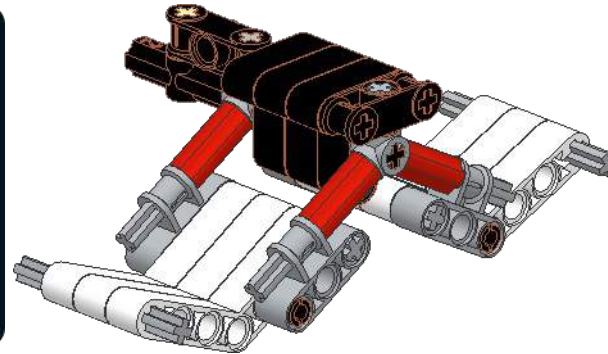
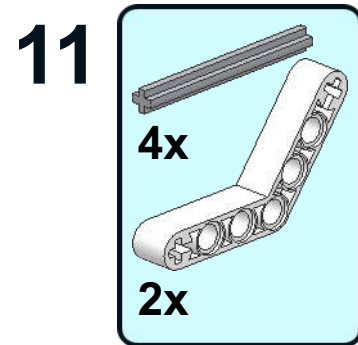
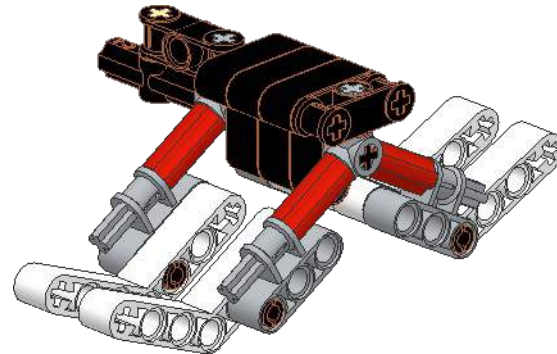
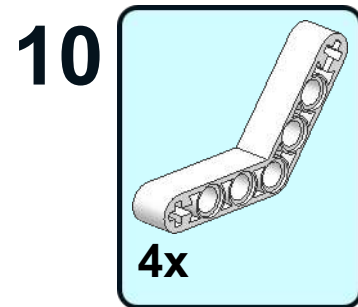
Dispensor tool



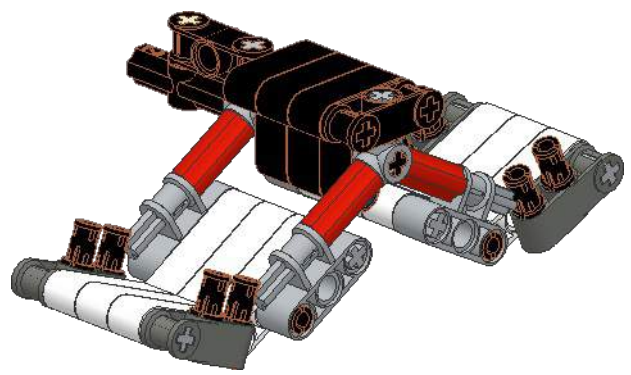




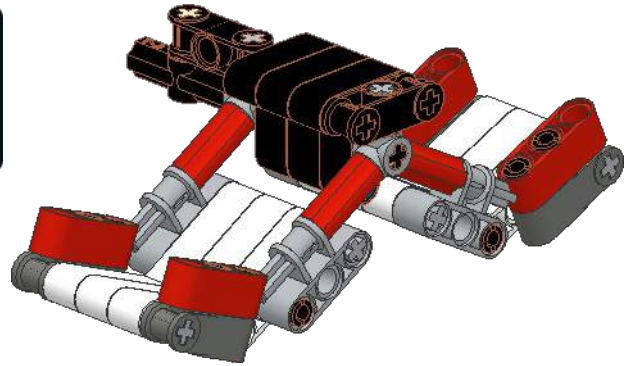




12
8x
4x

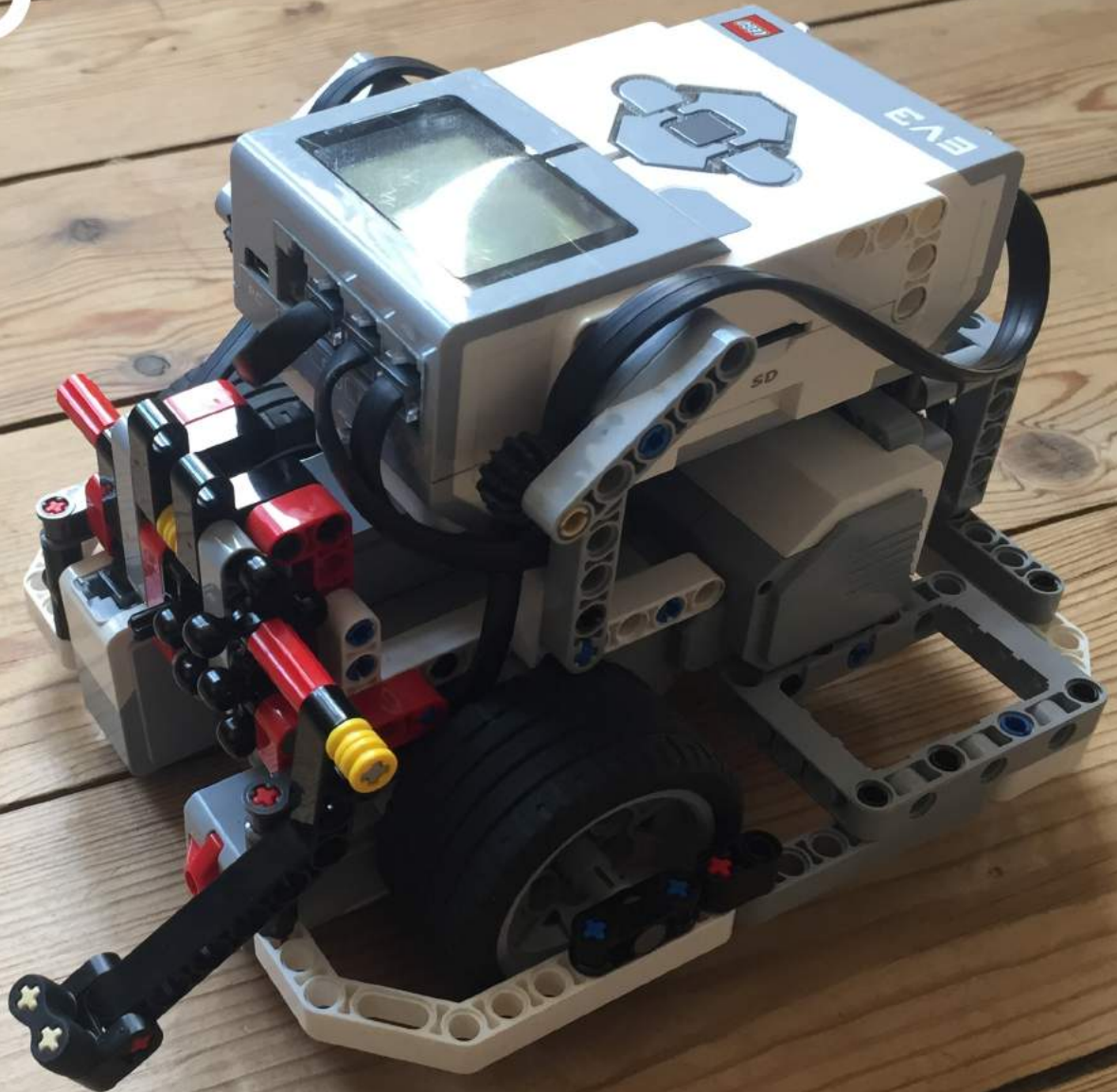


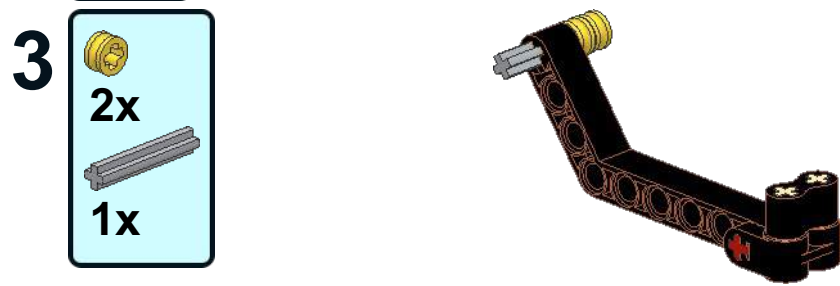
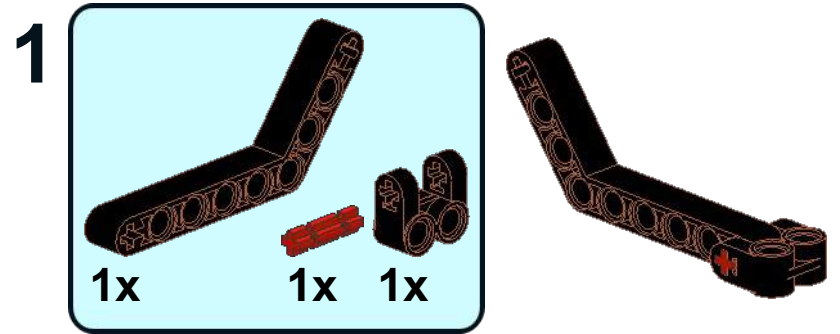
13
4x



COR3

Snatcher tool





Instructions by:

Michael Buss Andersen

Feel free to do whatever you want with it.